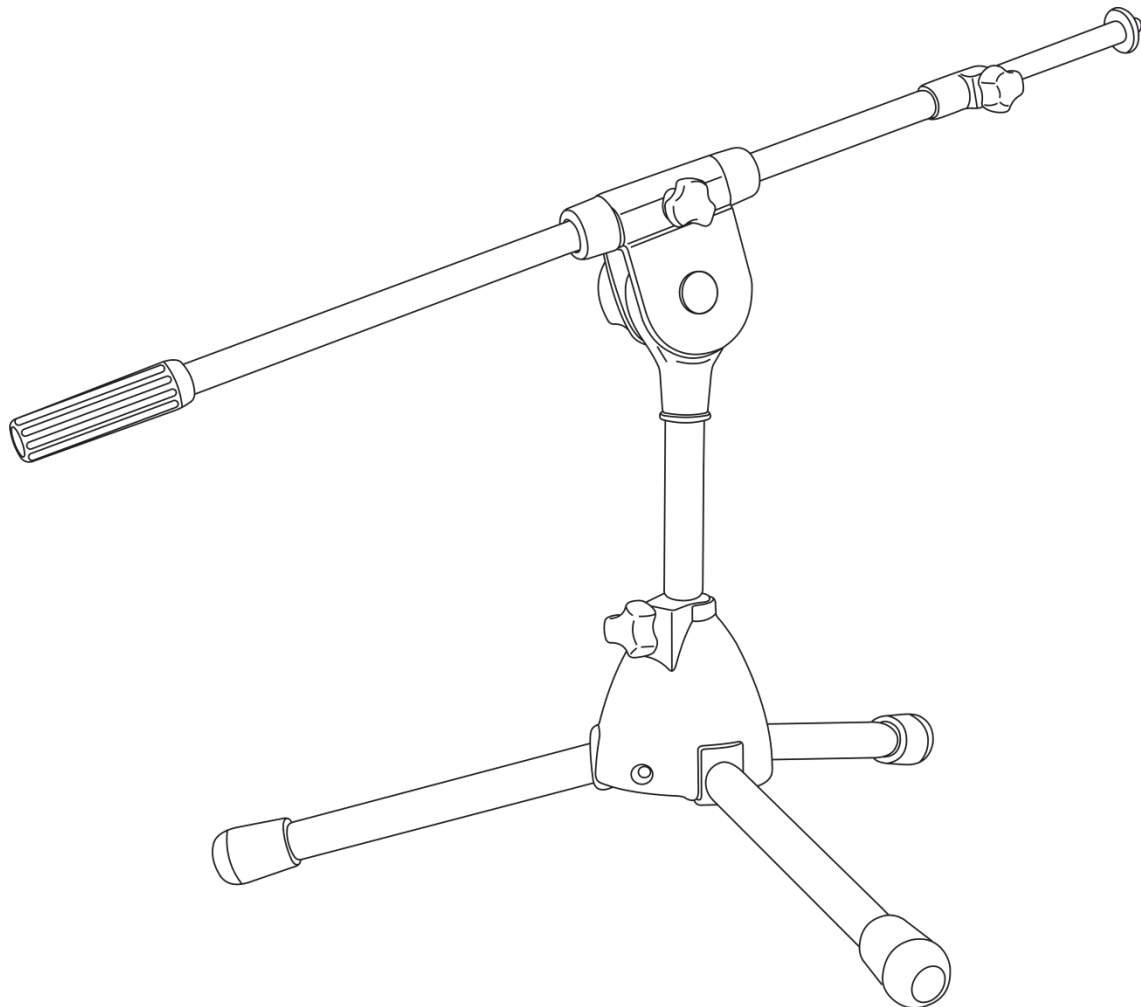




MANUAL



ENGLISH

# Telescopic Mic Stand Low V1

Ordercode: D8622

## Table of contents

---

<b>Warning</b> .....	2
Safety Instructions.....	2
Operating Determinations.....	2
Return Procedure .....	3
Claims .....	3
<b>Description of the device</b> .....	4
Overview .....	4
<b>Installation</b> .....	5
<b>Set Up and Operation</b> .....	5
<b>Maintenance</b> .....	5
<b>Product Specifications</b> .....	6

## Warning



**For your own safety, please read this user manual carefully  
before your initial start-up!**

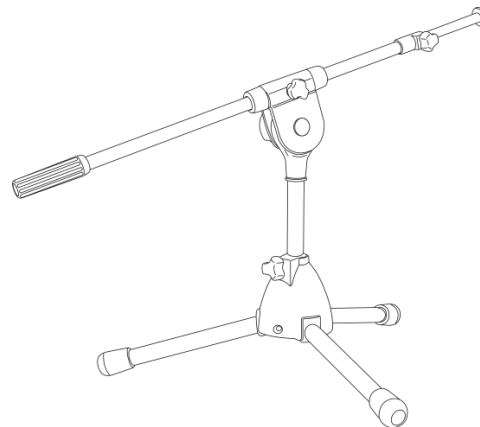


### Unpacking Instructions

Immediately upon receiving this product, carefully unpack the carton and check the contents to ensure that all parts are present, and have been received in good condition. Notify the dealer immediately and retain packing material for inspection if any parts appear damaged from shipping or the carton itself shows signs of mishandling. Save the carton and all packing materials. In the event that a device must be returned to the factory, it is important that the device is returned in the original factory box and packing.

### Your shipment includes:

- DAP Audio Telescopic Mic Stand Low
- User manual



### Safety Instructions

Every person involved with the installation, operation and maintenance of this system has to:

- be qualified
- follow the instructions of this manual

Before using the device, please make sure that there is no damage caused by transportation. Should there be any, consult your dealer and do not use the system.

To maintain perfect condition and to ensure a safe operation, it is absolutely necessary for the user to follow the safety instructions and warning notes written in this manual.

Please consider that damages caused by manual modifications to the system are not subject to warranty. This system contains no user-serviceable parts. Refer servicing to qualified technicians only.

### IMPORTANT:

The manufacturer will not accept liability for any resulting damages caused by the non-observance of this manual or any unauthorized modification to the device.

- Never remove warning or informative labels from the unit.
- Do not open the device and do not modify the device.
- Avoid flames and do not put close to flammable liquids or gases.
- If your Dap Audio device fails to work properly, discontinue use immediately. Pack the unit securely (preferably in the original packing material), and return it to your Dap Audio dealer for service.
- Repairs and servicing must be carried out by a qualified technician.
- **WARRANTY:** Till one year after date of purchase.

### Operating Determinations

- If this device is operated in any other way, than the one described in this manual, the product may suffer damages and the warranty becomes void.

*You endanger your own safety and the safety of others!*



### Return Procedure



Returned merchandise must be sent prepaid and in the original packing, call tags will not be issued. Package must be clearly labeled with a Return Authorization Number (RMA number). Products returned without an RMA number will be refused. Highlite will not accept the returned goods or any responsibility. Call Highlite 0031-455667723 or mail [aftersales@highlite.nl](mailto:aftersales@highlite.nl) and request an RMA prior to shipping the fixture. Be prepared to provide the model number, serial number and a brief description of the cause for the return. Be sure to properly pack fixture, any shipping damage resulting from inadequate packaging is the customer's responsibility. Highlite reserves the right to use its own discretion to repair or replace product(s). As a suggestion, proper UPS packing or double-boxing is always a safe method to use.

**Note: If you are given an RMA number, please include the following information on a piece of paper inside the box:**

- 01) Your name
- 02) Your address
- 03) Your phone number
- 04) A brief description of the symptoms

### Claims

The client has the obligation to check the delivered goods immediately upon delivery for any shortcomings and/or visible defects, or perform this check after our announcement that the goods are at their disposal. Damage incurred in shipping is the responsibility of the shipper; therefore the damage must be reported to the carrier upon receipt of merchandise.

It is the customer's responsibility to notify and submit claims with the shipper in the event that a fixture is damaged due to shipping. Transportation damage has to be reported to us within one day after receipt of the delivery.

Any return shipment has to be made post-paid at all times. Return shipments must be accompanied with a letter defining the reason for return shipment. Non-prepaid return shipments will be refused, unless otherwise agreed in writing.

Complaints against us must be made known in writing or by fax within 10 working days after receipt of the invoice. After this period complaints will not be handled anymore.

Complaints will only then be considered if the client has so far complied with all parts of the agreement, regardless of the agreement of which the obligation is resulting.

## Description of the device

The DAP Audio Telescopic Mic Stand Low has been designed especially for bass drums and other compact situations. The reinforced legs prevent the microphone stand from tipping and provide extra stability on stage.

### Features

- Aluminum arm joint
- Magnesium base
- Weighted feet with rubber end caps
- Boom arm: 2-piece telescopic
- Boom arm length: 560-935 mm
- Height: 290-345 mm
- Base diameter:  $\varnothing$  370 mm
- Thread: 3/8"
- Weight: 2,7 kg

### Overview

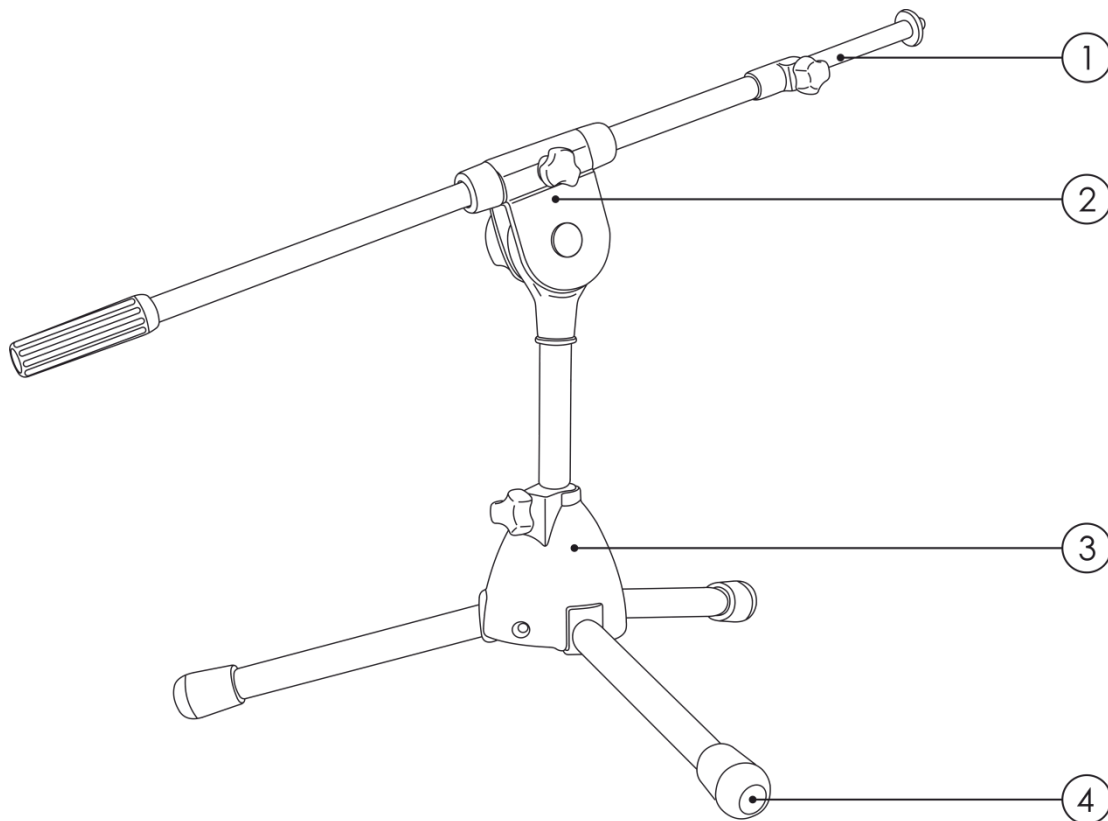


Fig. 01

- ① 3/8" solid threaded upper shaft
- ② Euro-style boom with separate adjustment screws for length and angle adjustment
- ③ Magnesium base
- ④ Folding legs with rubber end caps

### Installation

Remove all packing materials from the Telescopic Mic Stand Low. Check if all foam and plastic padding is removed. Connect all cables.

Damages caused by non-observance are not subject to warranty.

### Set Up and Operation

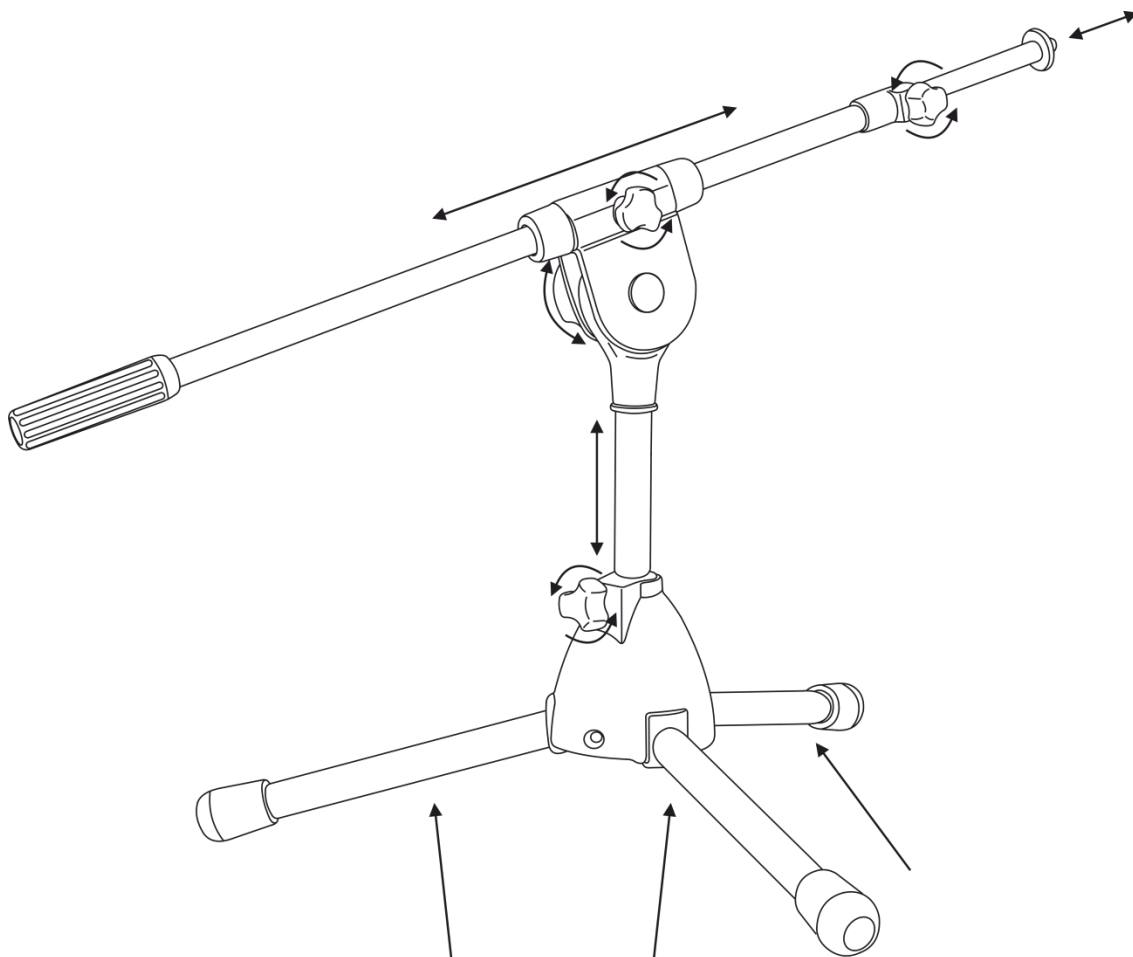


Fig. 02

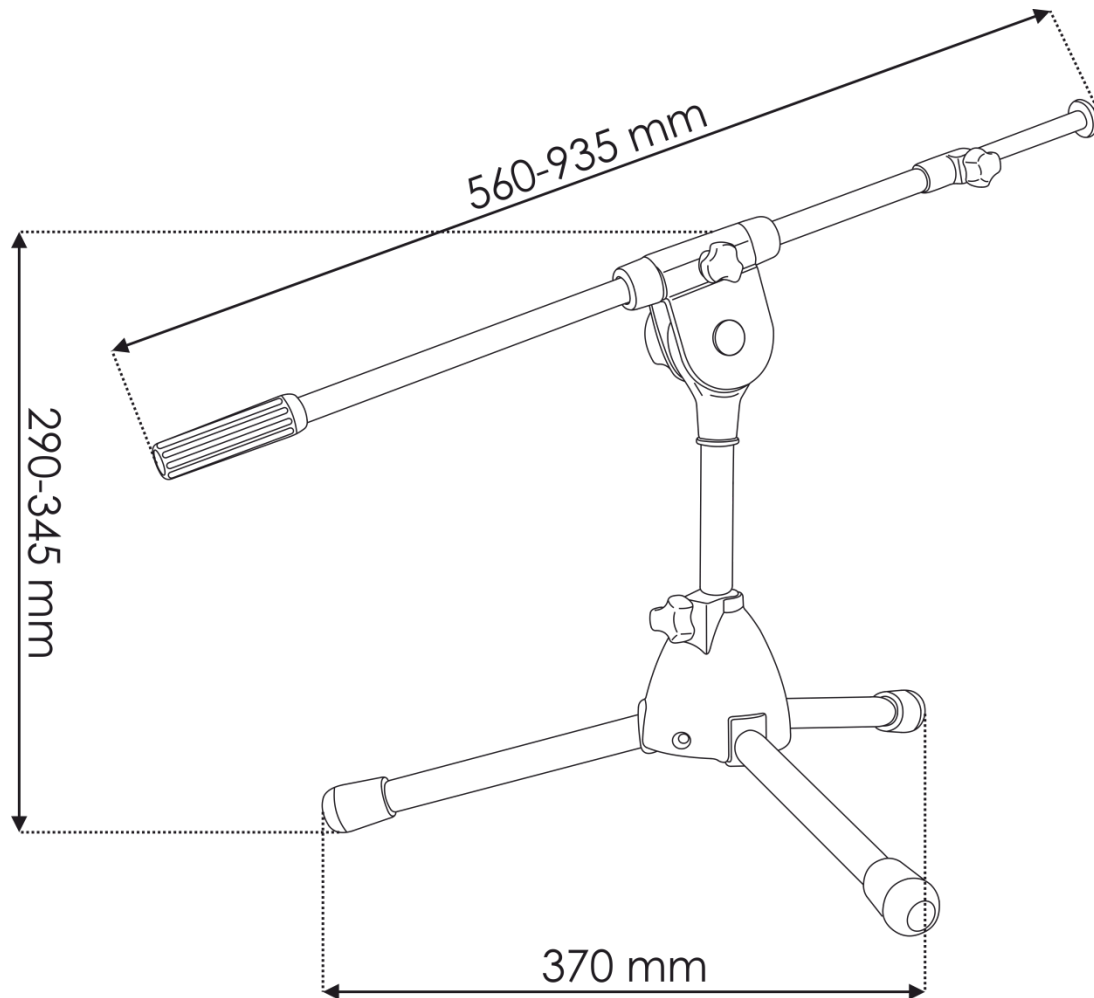
- 01) Unfold the **legs (04)** and place the Telescopic Mic Stand Low on a flat stage floor.
- 02) Loosen the **screw (03)** on the magnesium base and slide the main shaft up and down to set the desired height. Tighten the screw.
- 03) Loosen both **screws (02)** and slide the shaft to set the desired length of the counterbalance and the angle of the microphone. Tighten both screws.
- 04) Loosen the **screw (01)** and slide the upper shaft to set its length. Tighten the screw.

### Maintenance

The DAP Audio Telescopic Mic Stand Low requires almost no maintenance. However, you should keep the unit clean. Do not use alcohol or solvents.

## Product Specifications

Model:	DAP Audio Telescopic Mic Stand Low
Base diameter:	∅ 370 mm
Boom arm length:	560-935 mm
Height:	290-345 mm
Thread:	3/8"
Weight:	2,7 kg
<b>Features:</b>	
Boom arm:	2-piece telescopic
Arm joint:	Aluminum
Base:	Magnesium



Design and product specifications are subject to change without prior notice.



Website: [www.Dap-audio.info](http://www.Dap-audio.info)  
Email: [service@highlite.nl](mailto:service@highlite.nl)



©2016 DAP Audio