

ENGLISH

### Powerport 3

### V1

Product code: 50275

### Preface

---

Thank you for purchasing this Showgear product.

The purpose of this user manual is to provide instructions for the correct and safe use of this product.

Keep the user manual for future reference as it is an integral part of the product. The user manual shall be stored at an easily accessible location.

This user manual contains information concerning:

- Safety instructions
- Installation and operation of the device
- Intended and non-intended use of the device
- Maintenance procedures
- Troubleshooting
- Transport, storage and disposal of the device

Non-observance of the instructions in this user manual may result in serious injuries and damage of property.

©2022 Showgear. All rights reserved.

No part of this document may be copied, published or otherwise reproduced without the prior written consent of Highlite International.

Design and product specifications are subject to change without prior notice.

For the latest version of this document or other language versions, please visit our website [www.highlite.com](http://www.highlite.com) or contact us at [service@highlite.com](mailto:service@highlite.com).

Highlite International and its authorized service providers are not liable for any injury, damage, direct or indirect loss, consequential or economic loss or any other loss arising from the use of, or inability to use or reliance on the information contained in this document.

## Table of contents

---

<b>1. Introduction</b> .....	<b>3</b>
1.1. Before Using the Product .....	3
1.2. Intended Use .....	3
1.3. Text Conventions .....	3
1.4. Symbols and Signal Words.....	4
1.5. Symbols on the Information Label .....	4
<b>2. Safety</b> .....	<b>5</b>
2.1. Warnings and Safety Instructions .....	5
2.2. Requirements for the User.....	7
<b>3. Description of the Device</b> .....	<b>7</b>
3.1. Overview .....	7
3.2. Product Specifications .....	8
3.3. Dimensions .....	8
<b>4. Setup and Operation</b> .....	<b>9</b>
4.1. Safety Instructions for Installation .....	9
4.2. Installation Site Requirements .....	9
4.3. Connecting to Power Supply .....	10
4.4. Power Linking of Multiple Devices.....	10
<b>5. Troubleshooting</b> .....	<b>11</b>
<b>6. Maintenance</b> .....	<b>11</b>
6.1. Safety Instructions for Maintenance.....	11
6.2. Preventive Maintenance .....	11
6.2.1. Basic Cleaning Instructions .....	12
6.3. Corrective Maintenance .....	12
<b>7. Deinstallation, Transportation and Storage</b> .....	<b>12</b>
<b>8. Disposal</b> .....	<b>12</b>
<b>9. Approval</b> .....	<b>12</b>

## 1. Introduction

### 1.1. Before Using the Product



#### Important

Read and follow the instructions in this user manual before installing, operating or servicing this product.

The manufacturer will not accept liability for any resulting damages caused by the non-observance of this manual.

After unpacking, check the contents of the box. If any parts are missing or damaged, contact your Highlite International dealer.

Your shipment includes:

- Showgear Powerport 3
- User manual

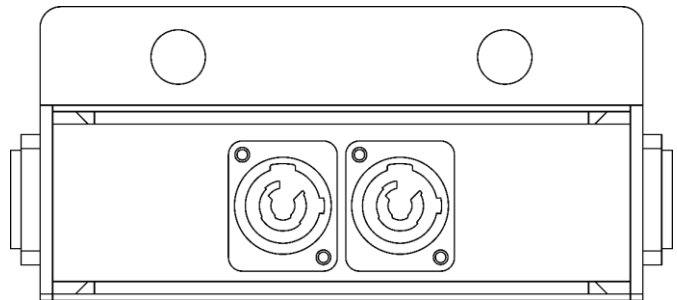


Fig. 01

### 1.2. Intended Use

This device is intended for professional use as a power distribution unit. It is suitable only for indoor use. This device is not suitable for households.

Any other use, not mentioned under intended use, is regarded as non-intended and incorrect use.

### 1.3. Text Conventions

Throughout the user manual the following text conventions are used:

- Buttons: All buttons are in bold lettering, for example "Press the **UP/DOWN** buttons"
- References: References to chapters and parts of the device are in bold lettering, for example: "Refer to **2. Safety**", "turn the **adjustment screw (02)**"
- 0–255: Defines a range of values
- Notes: **Note:** (in bold lettering) is followed by useful information or tips

### 1.4. Symbols and Signal Words

Safety notes and warnings are indicated throughout the user manual by safety signs.

Always follow the instructions provided in this user manual.



**DANGER**

Indicates an imminently hazardous situation which, if not avoided, will result in death or serious injury.



**WARNING**

Indicates a potentially hazardous situation which, if not avoided, could result in death or serious injury.



**CAUTION**

Indicates a potentially hazardous situation, which, if not avoided, may result in minor or moderate injury.



**Attention**

Indicates important information for the correct operation and use of the product.



**Important**

Read and observe the instructions in this document.



**Electrical hazard**



Provides important information about the disposal of this product.

### 1.5. Symbols on the Information Label

This product is provided with an information label. The information label is located on the backside of the device.

The information label contains the following symbols:



This device is designed for indoor use.



This device falls under IEC protection class I.



This device shall not be treated as household waste.



Read and follow the instructions in the user manual before installing, operating or servicing the device.

## 2. Safety

**Important**

**Read and follow the instructions in this user manual before installing, operating or servicing this product.**

The manufacturer will not accept liability for any resulting damages caused by the non-observance of this manual.

### 2.1. Warnings and Safety Instructions

**DANGER**

**Danger for children**

For adult use only. The device must be installed beyond the reach of children.

- Do not leave various parts of the packaging (plastic bags, polystyrene foam, nails, etc.) within children's reach. Packaging material is a potential source of danger for children.

**DANGER**

**Electric shock caused by dangerous voltage inside**

There are areas within the device where dangerous touch voltage may be present.

- Do not open the device or remove any covers.
- Disconnect the device from electrical power supply before service and maintenance, and when the device is not in use.

**DANGER**

**Electric shock caused by short-circuit**

This device falls under IEC protection class I.

- Make sure that the device is electrically connected to ground (earth). Connect the device only to a socket-outlet with ground (earth) connection.
- Do not cover the ground (earth) connection.
- Do not immerse the device in water or other liquids. Do not install the device in a location where flooding may occur.
- Do not use the device during thunderstorms. Disconnect the device from the electrical power supply immediately.



### **Attention Power supply**

- Before connecting the device to the power supply, make sure that the current, voltage and frequency match the input voltage, current and frequency specified on the information label on the device.
- Make sure that the cross-sectional area of the extension cords and power cables is sufficient for the required power consumption of the device.



### **Attention General safety**

- Do not shake the device. Avoid brute force when installing or operating the device.
- If the device is dropped or struck, disconnect the device from the electrical power supply immediately.
- If the device is exposed to extreme temperature variations (e.g. after transportation), do not switch it on immediately. Let the device reach room temperature before switching it on, otherwise it may be damaged by the formed condensation.
- If the device fails to work properly, discontinue the use immediately.



### **Attention For professional use only This device shall be used only for the purposes it is designed for.**

This device is designed to be used as a power distribution unit. Any incorrect use may lead to hazardous situations and result in injuries and material damage.

- This device is not suitable for households.
- This device is not designed for permanent operation.
- This device does not contain user-serviceable parts. Unauthorized modifications to the device will render the warranty void. Such modifications may result in injuries and material damage.



### **Attention Before each use, examine the device visually for any defects.**

Make sure that:

- All screws used for installing the device or parts of the device are tightly fastened and are not corroded.
- There are no deformations on housings, fixations and installation points.
- The power cables are not damaged and do not show any material fatigue.



**Attention**

**Do not expose the device to conditions that exceed the rated IP class conditions.**

This device is IP20 rated. IP (Ingress Protection) 20 class provides protection against solid objects greater than 12 mm, such as fingers, and no protection against harmful ingress of water.

**2.2. Requirements for the User**

This product may be used only by instructed or skilled persons. Installation and maintenance can be carried out by instructed or skilled persons. Service shall be carried out only by skilled persons. Contact your Highlite International dealer for more information.

Instructed persons have been instructed and trained by a skilled person, or are supervised by a skilled person, for specific tasks and work activities associated with the installation, service and maintenance of this product, so that they can identify risks and take precautions to avoid them.

Skilled persons have training or experience, which enables them to recognize risks and to avoid hazards associated with the installation, service and maintenance of this product.

Ordinary persons are all persons other than instructed persons and skilled persons. Ordinary persons include not only users of the product but also any other persons that may have access to the device or who may be in the vicinity of the device.

**3. Description of the Device**

The Powerport 3 is a compact power distribution unit. The device is equipped with a Neutrik powerCON input and 3 Neutrik powerCON outputs. The maximum allowed current load is 16 A, divided over 3 outputs.

**3.1. Overview**

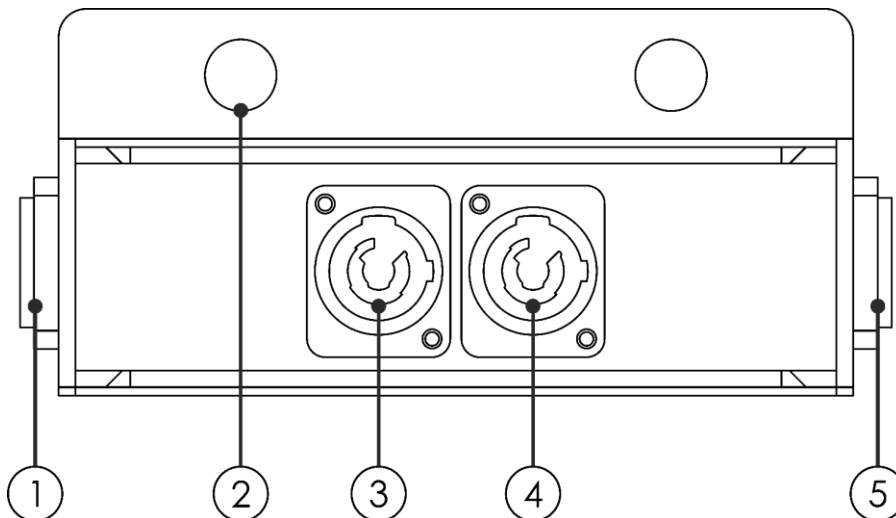


Fig. 02

- 01) Neutrik powerCON connector IN (Blue)
- 02) 2 x mounting openings (M13)
- 03) Neutrik powerCON connector OUT (Gray)
- 04) Neutrik powerCON connector OUT (Gray)
- 05) Neutrik powerCON connector OUT (Gray)



### 3.2. Product Specifications

Model:	Powerport 3
<b>Electrical:</b>	
Input voltage	240 V AC, 50 Hz, max. 16 A
Rated current:	16 A (divided over 3 outputs)
Conductors:	3
Pins:	3
<b>Connections:</b>	
Power connector IN:	Neutrik powerCON connector IN (Blue)
Power connector OUT:	3 x Neutrik powerCON connector OUT (Gray)
Power cable min. wire size:	1,5 mm <sup>2</sup> /16 AWG
<b>Physical:</b>	
Dimensions:	140 x 75 x 55 mm (LxWxH)
Weight:	0,65 kg
<b>Construction:</b>	
Housing:	Metal
Color:	Gray
IP rating:	IP20
<b>Thermal:</b>	
Ambient temperature t <sub>a</sub> :	From -10 °C to 45 °C

### 3.3. Dimensions

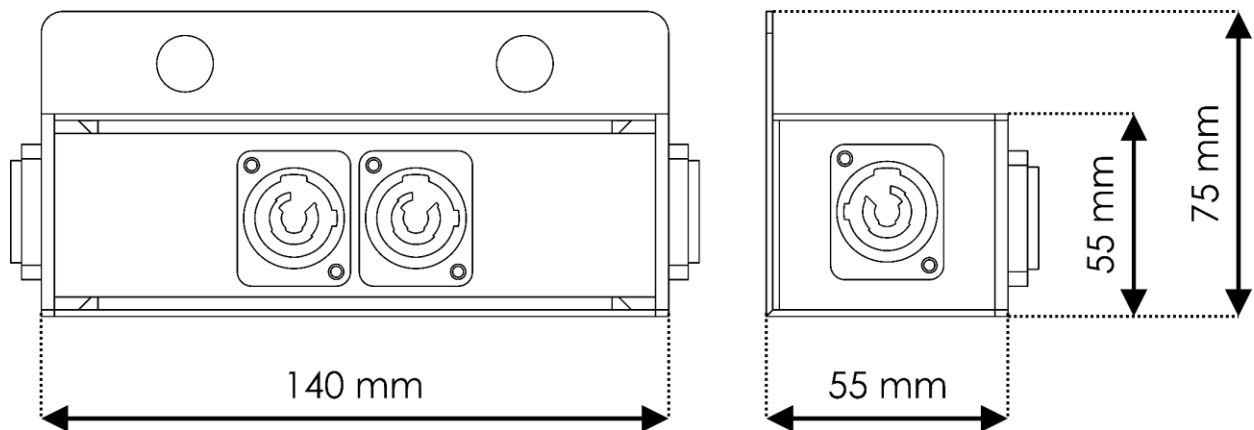


Fig. 03

## 4. Setup and Operation

### 4.1. Safety Instructions for Installation



**WARNING**

Incorrect installation can cause serious injuries and damage of property.

Installation must be carried out only by instructed or skilled persons.

Follow all applicable European, national and local safety regulations concerning electrical installations.

### 4.2. Installation Site Requirements

- The device must be installed only indoors.
- The device can be positioned on a flat surface or be mounted on a structure.
- The maximum ambient temperature  $t_a = 45\text{ °C}$  must never be exceeded.
- The relative humidity must not exceed 50 % with an ambient temperature of 45 °C.



**Attention**

Power supply

Before connecting the device to the power supply, make sure that the current, voltage and frequency match the input voltage, current and frequency specified on the information label on the device.

To connect the device:

- 01) Insert 2 screws into the **2 x mounting openings (02)** and tighten them to mount the device on a structure. See Fig. 04.

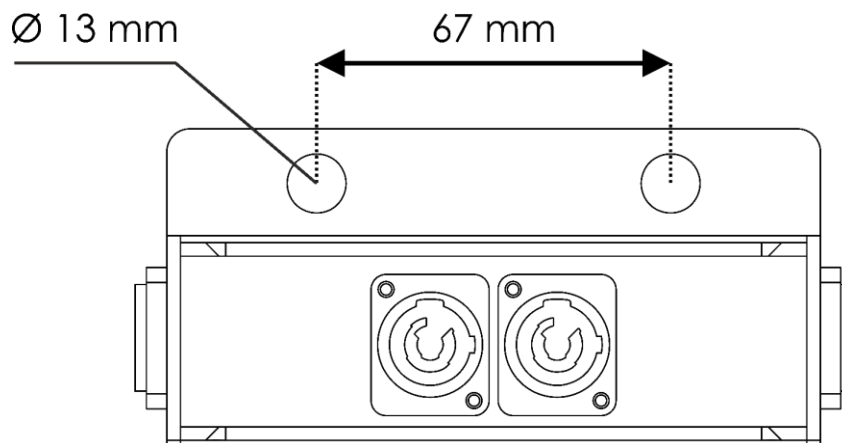


Fig. 04

- 02) Connect the power supply to the **Neutrik powerCON connector IN (01)**. See **4.3. Connecting to Power Supply** on page 10 for more information.
- 03) Connect external devices to the **3 x Neutrik powerCON connectors OUT (03/04/05)**. See **4.4. Power Linking of Multiple Devices** on page 10 for more information.
- 04) Switch on the external devices.

### 4.3. Connecting to Power Supply



**DANGER**  
Electric shock caused by short-circuit

The device accepts AC mains power at 240 V and 50 Hz. Do not supply power at any other voltage or frequency to the device.

This device falls under IEC protection class I. Make sure that the device is always electrically connected to the ground (earth).

Before connecting the device to the socket-outlet:

- Make sure that the power supply matches the input voltage specified on the information label on the device.
- Make sure that the socket-outlet has ground (earth) connection.

Connect the device to the socket-outlet with a power plug. The power plug is not delivered with the device and should be purchased separately. Contact your Highlite International dealer for more information.

- Do not use the power plug as an on/off switch.
- Do not use the power plugs connected to the outputs as on/off switches to switch on the external devices connected to the outputs. Switch on the external devices only with their own power switches.

### 4.4. Power Linking of Multiple Devices

This device supports power linking. Power can be relayed to another device via one of the 3 power OUT connectors. Note that the input and the output connectors have different designs: one type cannot be connected to the other.

Power linking of multiple devices must be carried out only by instructed or skilled persons.



**WARNING**  
Incorrect power linking may lead to overload of the electrical circuit and result in serious injuries and damage of property.

To prevent overload of the electrical circuit, when power linking multiple devices:

- Use cables with sufficient current-carrying capacity.
- Make sure that the total current draw of the device and all connected devices does not exceed the rated capacity of the power cables and the circuit breaker of the power supply.
- Do not link more devices on one power link than the maximum recommended number.

The maximum recommended number of devices depends on the total load of all linked Powerport devices and the devices connected to the **3 x Neutrik powerCON connectors OUT (03/04/05)**. The total load of all linked devices shall not exceed 16 A.

## 5. Troubleshooting

This troubleshooting guide contains solutions to problems which can be carried out by an ordinary person. The device does not contain user-serviceable parts.

Unauthorized modifications to the device will render the warranty void. Such modifications may result in injuries and material damage.

Refer servicing to instructed or skilled persons. Contact your Highlite International dealer in case the solution is not described in the table.

Problem	Probable cause(s)	Solution
The device does not function at all	No power to the device	<ul style="list-style-type: none"> <li>• Check if power is switched on and cables are plugged in</li> </ul>
	The residual-current device or the main circuit breakers of the power supply are in OFF position	<ul style="list-style-type: none"> <li>• Check the total current load of the connected devices.</li> <li>• Check if the external devices connected to the outputs are not damaged</li> <li>• Move the residual-current device and the main circuit breakers of the power supply to ON position.</li> </ul>

## 6. Maintenance

### 6.1. Safety Instructions for Maintenance



**DANGER**  
Electric shock caused by dangerous voltage inside

Disconnect power supply before servicing or cleaning.

### 6.2. Preventive Maintenance



**Attention**  
Before use, examine the device visually for any defects.

Make sure that:

- All screws used for installing the device or parts of the device are tightly fastened and are not corroded.
- There are no deformations on housings, fixations and installation points.
- The power cables are not damaged and do not show any material fatigue.

### 6.2.1. Basic Cleaning Instructions

To clean the device, follow the steps below:

- 01) Disconnect the device from the electrical power supply.
- 02) Allow the device to cool down for 5 minutes.
- 03) Clean the device with a soft, lint-free cloth.



#### Attention

- Do not immerse the device in liquid.
- Do not use alcohol or solvents.

### 6.3. Corrective Maintenance

The device does not contain user-serviceable parts. Do not open the device and do not modify the device.

Refer repairs and servicing to instructed or skilled persons. Contact your Highlite International dealer for more information.

## 7. Deinstallation, Transportation and Storage

---

- Disconnect power supply before deinstallation.
- Use the original packaging to transport the device, if possible.
- Clean the device before storing. Follow the cleaning instructions in chapter **6.2.1. Basic Cleaning Instructions** on page 12.
- Store the device in the original packaging, if possible.

## 8. Disposal

---

### Correct disposal of this product



Waste Electrical and Electronic Equipment

This symbol on the product, its packaging or documents indicates that the product shall not be treated as household waste. Dispose of this product by handing it to the respective collection point for recycling of electrical and electronic equipment. This is to avoid environmental damage or personal injury due to uncontrolled waste disposal. For more detailed information about recycling of this product contact the local authorities or the authorized dealer.

## 9. Approval

---



Check the respective product page on the website of Highlite International ([www.highlite.com](http://www.highlite.com)) for an available declaration of conformity.





---

**SHOW  
GEAR**

©2022 Showgear