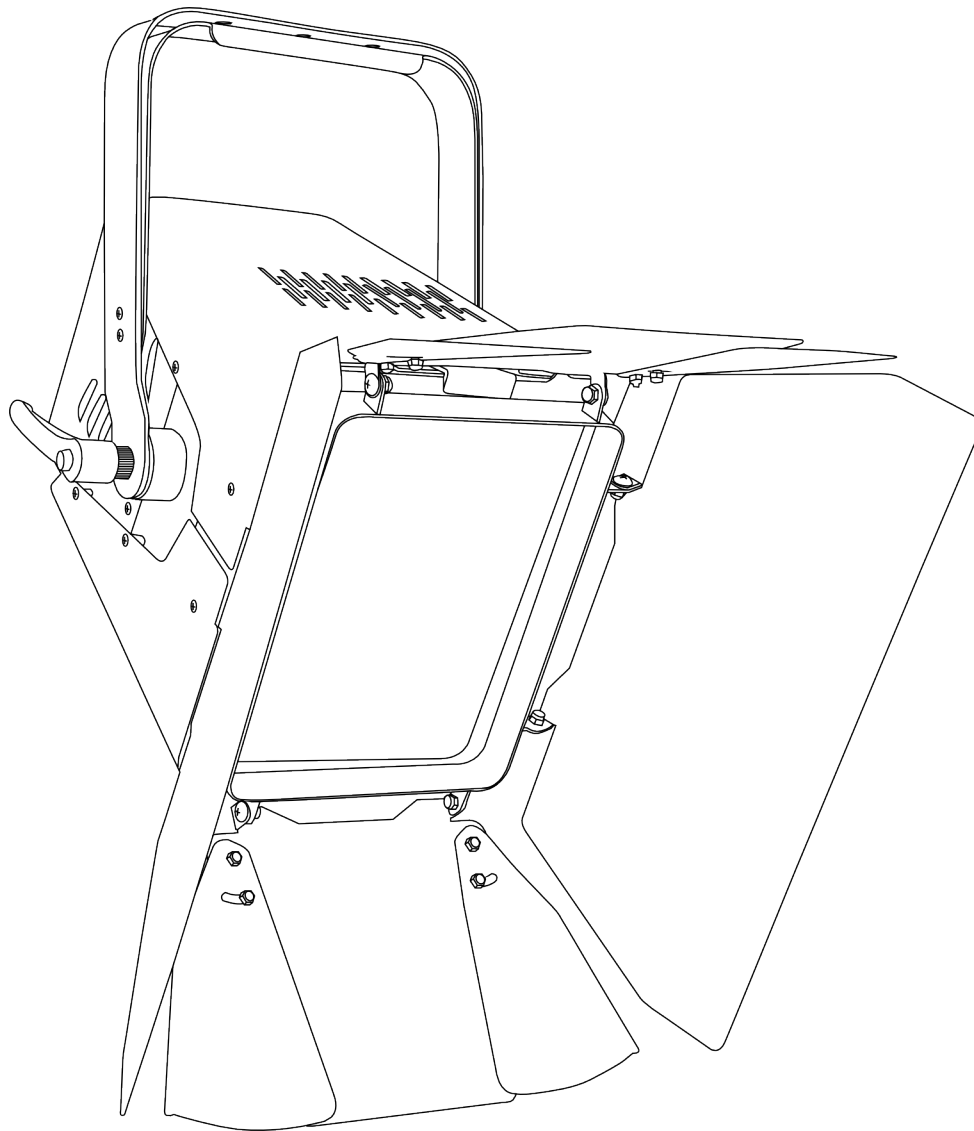


# QUICK START GUIDE

ENGLISH

V1.0



## ACT Flood 200 RGBAL

Product code: 34042

## Preface

---

Thank you for purchasing this Showtec product.

You can find the complete version of the user manual on our website [www.highlite.com](http://www.highlite.com).

©2024 Showtec. All rights reserved.

No part of this document may be copied, published or otherwise reproduced without the prior written consent of Highlite International.

Design and product specifications are subject to change without prior notice.

For the latest version of this document or other language versions, please visit our website [www.highlite.com](http://www.highlite.com) or contact us at [service@highlite.com](mailto:service@highlite.com).

Highlite International and its authorized service providers are not liable for any injury, damage, direct or indirect loss, consequential or economic loss or any other loss arising from the use of, or inability to use or reliance on the information contained in this document.

## Table of contents

---

|  |           |
|--|-----------|
| <b>1. Introduction</b> .....                               | <b>3</b>  |
| 1.1. Before Using the Product.....                         | 3         |
| 1.2. Intended Use.....                                     | 3         |
| 1.3. LEDs Lifespan.....                                    | 3         |
| 1.4. Text Conventions.....                                 | 3         |
| 1.5. Symbols and Signal Words.....                         | 4         |
| 1.6. Symbols on the Information Label.....                 | 4         |
| <b>2. Safety</b> .....                                     | <b>5</b>  |
| 2.1. Warnings and Safety Instructions.....                 | 5         |
| 2.2. Requirements for the User.....                        | 7         |
| 2.3. Personal Protective Equipment.....                    | 7         |
| <b>3. Product Specifications</b> .....                     | <b>8</b>  |
| <b>4. Installation</b> .....                               | <b>9</b>  |
| 4.1. Safety Instructions for Installation.....             | 9         |
| 4.2. Personal Protective Equipment.....                    | 9         |
| 4.3. Installation Site Requirements.....                   | 9         |
| 4.4. Connecting to Power Supply.....                       | 10        |
| 4.5. Power Linking of Multiple Devices.....                | 10        |
| <b>5. Setup</b> .....                                      | <b>11</b> |
| 5.1. Warnings and Precautions.....                         | 11        |
| 5.2. Stand-alone Setup.....                                | 11        |
| 5.3. DMX Connection .....                                  | 11        |
| 5.3.1. DMX-512 Protocol.....                               | 11        |
| 5.3.2. DMX Cables.....                                     | 11        |
| 5.3.3. DMX Addressing.....                                 | 12        |
| <b>6. Operation</b> .....                                  | <b>13</b> |
| 6.1. Safety Instructions for Operation.....                | 13        |
| 6.2. Menu Overview.....                                    | 14        |
| 6.3. DMX Channels.....                                     | 15        |
| <b>7. Troubleshooting</b> .....                            | <b>18</b> |
| <b>8. Maintenance</b> .....                                | <b>19</b> |
| 8.1. Safety Instructions for Maintenance.....              | 19        |
| 8.2. Preventive Maintenance.....                           | 19        |
| 8.2.1. Basic Cleaning Instructions.....                    | 19        |
| 8.3. Corrective Maintenance.....                           | 20        |
| 8.3.1. Replacing the Fuse.....                             | 20        |
| <b>9. Deinstallation, Transportation and Storage</b> ..... | <b>20</b> |
| 9.1. Instructions for Deinstallation.....                  | 20        |
| 9.2. Instructions for Transportation.....                  | 20        |
| 9.3. Storage.....  | 20        |
| <b>10. Disposal</b> .....                                  | <b>21</b> |
| <b>11. Approval</b> .....                                  | <b>21</b> |

## 1. Introduction

---

### 1.1. Before Using the Product

**Important**

**Read and follow the instructions in the user manual before installing, operating or servicing this product.**

The manufacturer will not accept liability for any resulting damages caused by the non-observance of the user manual.

You can find the latest version of the user manual on our website [www.highlite.com](http://www.highlite.com).

After unpacking, check the contents of the box. If any parts are missing or damaged, contact your Highlite International dealer.

Your shipment includes:

- Showtec ACT Flood 200 RGBAL
- Barndoor
- Schuko to Power Pro cable (1,5 m)
- Quick start guide

### 1.2. Intended Use

This device is intended for professional use as a flood light. It can be installed only indoors. This device is not suitable for households and for general lighting.

Any other use, not mentioned under intended use, is regarded as non-intended and incorrect use.

### 1.3. LEDs Lifespan

The light output of the LEDs gradually decreases over time (lumen depreciation). High operating temperatures contribute to this process. You can extend the lifespan of the LEDs by providing adequate ventilation and operating the LEDs at the lowest possible brightness.

### 1.4. Text Conventions

Throughout the user manual the following text conventions are used:

- Buttons: All buttons are in bold lettering, for example "Press the **UP/DOWN** buttons"
- References: References to parts of the device are in bold lettering, for example: "turn the **adjustment handle (05)**". References to chapters are hyperlinked
- 0–255: Defines a range of values
- Notes: **Note:** (in bold lettering) is followed by useful information or tips

## 1.5. Symbols and Signal Words

Safety notes and warnings are indicated throughout the user manual by safety signs.

Always follow the instructions provided in this user manual.

**DANGER**

Indicates an imminently hazardous situation which, if not avoided, will result in death or serious injury.

**WARNING**

Indicates a potentially hazardous situation which, if not avoided, could result in death or serious injury.

**CAUTION**

Indicates a potentially hazardous situation, which, if not avoided, may result in minor or moderate injury.

**Attention**

Indicates important information for the correct operation and use of the product.

**Important**

Read and observe the instructions in this document.

**Electrical hazard**

Provides important information about the disposal of this product.

## 1.6. Symbols on the Information Label

This product is provided with an information label. The information label is located on the mounting bracket of the device.

The information label contains the following symbols:



This device is designed for indoor use.



This device shall not be treated as household waste.

## 2. Safety



**Important**  
**Read and follow the instructions in this user manual before installing, operating or servicing this product.**

The manufacturer will not accept liability for any resulting damages caused by the non-observance of this manual.

### 2.1. Warnings and Safety Instructions



**DANGER**  
**Danger for children**

For adult use only. The device must be installed beyond the reach of children.

- Do not leave any parts of the packaging (plastic bags, polystyrene foam, nails, etc.) within the reach of children. Packaging material is a potential source of danger for children.



**DANGER**  
**Electric shock caused by dangerous voltage inside**

There are areas inside the device where dangerous touch voltage may be present.

- Do not open the device or remove any covers.
- Do not operate the device if the covers or the housing are open. Before operation, check if the housing is firmly closed and all screws are tightly fastened.
- Disconnect the device from the electrical power supply before service and maintenance, and when the device is not in use.



**DANGER**  
**Electric shock caused by short-circuit**

This device falls under IEC protection Class I.

- Make sure that the device is electrically connected to ground (earth). Connect the device only to a socket-outlet with a ground (earth) connection.
- Do not cover the ground (earth) connection.
- Do not bypass the thermostatic switch or fuses.
- Replace fuses only with same type and rating.
- Do not let the power cable come into contact with other cables. Handle the power cable and all connections with the mains with caution.
- Do not modify, bend, mechanically strain, put pressure on, pull or heat up the power cable.
- Make sure that the power cable is not crimped or damaged. Examine the power cable periodically for any defects.
- Do not immerse the device in water or other liquids. Do not install the device in a location where flooding may occur.
- Do not use the device during thunderstorms. Disconnect the device from the electrical power supply immediately.



**WARNING**  
**Risk of epileptic shock**

Strobe lighting can trigger seizures in photosensitive epilepsy. Sensitive persons should avoid looking at strobe lights.



**Attention**  
**Power supply**

- Before connecting the device to the power supply, make sure that the current, voltage and frequency match the input voltage, current and frequency specified on the information label on the device.
- Make sure that the cross-sectional area of the extension cords and power cables is sufficient for the required power consumption of the device.



**Attention**  
**General safety**

- Do not insert objects into air vents.
- Do not connect the device to a dimmer pack.
- Do not switch the device on and off in short intervals. This reduces the device's life.
- Do not shake the device. Avoid brute force when installing or operating the device.
- Change the lens or the LEDs if they are visibly damaged to such an extent that their effectiveness is impaired, for example by cracks or deep scratches. Contact your Highlite International dealer for more information, as servicing can be performed only by instructed or skilled persons.
- If the device is dropped or struck, disconnect the device from the electrical power supply immediately.
- If the device is exposed to extreme temperature variations (e.g. after transportation), do not switch it on immediately. Let the device reach room temperature before switching it on, otherwise it may be damaged by the formed condensation.
- If the device fails to work properly, discontinue the use immediately.



**Attention**  
**For professional use only**  
**This device must be used only for the purposes it is designed for.**

This device is intended for professional use as a flood light. Any incorrect use may lead to hazardous situations and result in injuries and material damage.

- This device is not suitable for households and for general lighting.
- This device is not designed for permanent operation.
- This device does not contain user-serviceable parts. Unauthorized modifications to the device will render the warranty void. Such modifications may result in injuries and material damage.



**Attention**  
**Before each use, examine the device visually for any defects.**

Make sure that:

- All screws used for installing the device or parts of the device are tightly fastened and are not corroded.
- The safety devices are not damaged.
- There are no deformations on housings, fixings and installation points.
- The lens is not cracked or damaged.
- The power cables are not damaged and do not show any material fatigue.

**Attention****Do not expose the device to conditions that exceed the rated IP class conditions.**

This device is IP20 rated. IP (Ingress Protection) 20 class provides protection against solid objects greater than 12 mm, such as fingers, and no protection against harmful ingress of water.

## 2.2. Requirements for the User

This product may be used by ordinary persons. Maintenance may be carried out by ordinary persons. Installation and service shall be carried out only by instructed or skilled persons. Contact your Highlite International dealer for more information.

Instructed persons have been instructed and trained by a skilled person, or are supervised by a skilled person, for specific tasks and work activities associated with the installation, service and maintenance of this product, so that they can identify risks and take precautions to avoid them.

Skilled persons have training or experience, which enables them to recognize risks and avoid hazards associated with the installation, service and maintenance of this product.

Ordinary persons are all persons other than instructed persons and skilled persons. Ordinary persons include not only users of the product but also any other persons that may have access to the device or who may be in the vicinity of the device.

## 2.3. Personal Protective Equipment

During installation, deinstallation and rigging wear personal protective equipment in compliance with the national and site-specific regulations.



### 3. Product Specifications

The Showtec ACT Flood 200 RGBAL is a 200 W RGBAL LED flood light. It projects a bright, soft field of colored light and has a fixed beam angle of 90° x 105°. The color temperature can be adjusted between 2800 K and 10000 K. The device can be controlled manually, as well as with DMX. An eight-leaf barndoor is included in the delivery.

|   |                        |
|---|------------------------|
| Model:  | ACT Flood 200 RGBAL    |
| <b>Source:</b>                                    |                        |
| Light source type                                 | LED                    |
| Light source quantity                             | 1                      |
| Light source power                                | 200 W                  |
| LED color type                                    | R / G / B / A / L      |
| Refresh rate                                      | 1200 Hz                |
| Illuminance @ 2 m                                 | 1011 lx                |
| Illuminance @ 3 m                                 | 530 lx                 |
| Luminous flux (total)                             | 5704 lm                |
| CRI   | 93                     |
| Minimum CCT                                       | 2800 K                 |
| Maximum CCT                                       | 10000 K                |
| <b>Optical:</b>                                   |                        |
| Beam angle (horizontal)                           | 90°                    |
| Beam angle (vertical)                             | 105°                   |
| <b>Control and Programming:</b>                   |                        |
| Control mode                                      | DMX / Manual           |
| DMX channels                                      | 5 / 8 / 12             |
| Protocols   | DMX / RDM              |
| Display   | OLED                   |
| <b>Dynamic Effects:</b>                           |                        |
| Dimmer  | 0–100 %                |
| <b>Electrical Specifications and Connections:</b> |                        |
| Power supply                                      | 100–240 V AC 50/60 Hz  |
| Power consumption                                 | 205 W                  |
| Fuse  | 3,15 A                 |
| Power connector IN                                | Power Pro Blue         |
| Power connector OUT                               | Power Pro Gray         |
| DMX connector IN                                  | XLR 3P                 |
| DMX connector OUT                                 | XLR 3P                 |
| <b>Mechanical Specifications:</b>                 |                        |
| Length  | 280 mm                 |
| Width   | 258 mm                 |
| Height  | 304 mm                 |
| Weight  | 4,3 kg                 |
| IP Rating   | IP20 (indoor use only) |
| Housing   | Aluminum               |
| Colour  | Black                  |

**Product Properties:**

|         |            |
|---------|------------|
| Cooling | Convection |
|---------|------------|

**Rigging:**

|                  |                 |
|------------------|-----------------|
| Mounting options | Bracket / Floor |
|------------------|-----------------|

**Thermal Specifications:**

|                             |       |
|-----------------------------|-------|
| Maximum Ambient Temperature | 45 °C |
|-----------------------------|-------|

**Included Items:**

|                      |                 |
|----------------------|-----------------|
| Included cables      | Power Pro Cable |
| Included accessories | Barndoor        |

## 4. Installation

### 4.1. Safety Instructions for Installation


**WARNING**

Incorrect installation can cause serious injuries and damage of property.

If trussing systems are used, installation must be carried out only by instructed or skilled persons.

Follow all applicable European, national and local safety regulations concerning rigging and trussing.

### 4.2. Personal Protective Equipment

During installation, deinstallation and rigging wear personal protective equipment in compliance with the national and site-specific regulations.

### 4.3. Installation Site Requirements

- The device can be used only indoors.
- The maximum ambient temperature  $t_a = 45\text{ °C}$  must never be exceeded.
- The relative humidity must not exceed 50 % with an ambient temperature of 45 °C.

#### 4.4. Connecting to Power Supply



**DANGER**  
Electric shock caused by short-circuit

The device accepts AC mains power at 100–240 V and 50/60 Hz. Do not supply power at any other voltage or frequency to the device.

This device falls under IEC protection class I. Make sure that the device is always electrically connected to the ground (earth).

Before connecting the device to the socket-outlet:

- Make sure that the power supply matches the input voltage specified on the information label on the device.
- Make sure that the socket-outlet has ground (earth) connection.

Connect the device to the socket-outlet with the power plug. Do not connect the device to a dimmer circuit, as this may damage the device.

#### 4.5. Power Linking of Multiple Devices

This device supports power linking. Power can be relayed to another device via the power OUT connector. Note that the input and the output connectors have different designs: one type cannot be connected to the other.

Power linking of multiple devices must be carried out only by instructed or skilled persons.



**WARNING**  
Incorrect power linking may lead to overload of the electrical circuit and result in serious injuries and damage of property.

To prevent overload of the electrical circuit, when power linking multiple devices:

- Use cables with sufficient current-carrying capacity. The power cable supplied with the device is not suitable for power linking of multiple devices.
- Make sure that the total current draw of the device and all connected devices does not exceed the rated capacity of the power cables and the circuit breaker.
- Do not link more devices on one power link than the maximum recommended number.

Maximum recommended number of devices:

- at 100–120 V: 5 devices ACT Flood 200 RGBAL
- at 200–240 V: 10 devices ACT Flood 200 RGBAL

## 5. Setup

---

### 5.1. Warnings and Precautions

**Attention**

**Connect all data cables before supplying power.**

**Disconnect power supply before connecting or disconnecting data cables.**

### 5.2. Stand-alone Setup

When the ACT Flood 200 RGBAL is not connected to a controller or to other devices, it functions as a stand-alone device. It can be operated manually via the control panel and via the manual controls.

Refer to Control Modes for more information.

### 5.3. DMX Connection

#### 5.3.1. DMX-512 Protocol

You need a DMX serial data link to run light shows of one or more devices using a DMX-512 controller.

The ACT Flood 200 RGBAL has 3-pin DMX signal IN and OUT connectors.

The pin assignment is as follows: pin 1 (ground), pin 2 (-), pin 3 (+).

Devices on a serial data link must be daisy-chained in a single line. The number of devices that you can control on one data link is limited by the combined number of the DMX channels of the connected devices and the 512 channels available in one DMX universe.

To comply with the TIA-485 standard, no more than 32 devices should be connected on one data link. In order to connect more than 32 devices on one data link, you must use a DMX optically isolated splitter/booster, otherwise this may result in deterioration of the DMX signal.

**Note:**

- Maximum recommended DMX data link distance: 300 m
- Maximum recommended number of devices on a DMX data link: 32 devices

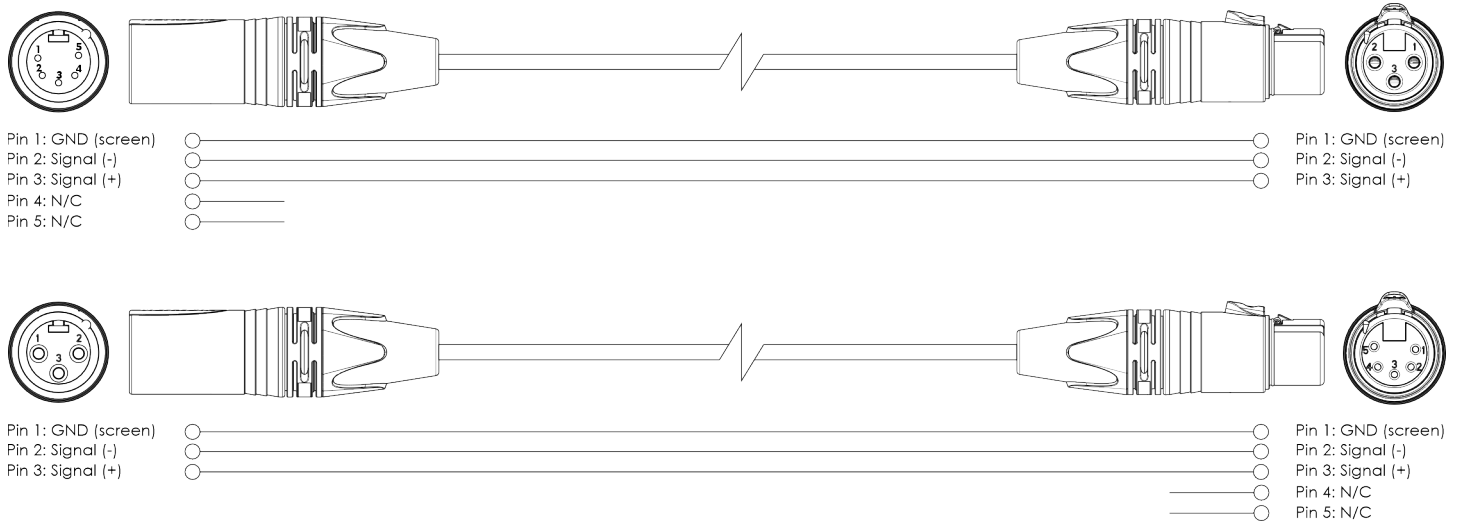
#### 5.3.2. DMX Cables

Shielded twisted-pair cables with 3-pin XLR connectors must be used for reliable DMX connection. You can purchase DMX cables directly from your Highlite International dealer or make your own cables.

If you use XLR audio cables for DMX data transmission, this may lead to signal degradation and unreliable operation of the DMX network.

When you make your own DMX cables, make sure that you connect the pins and wires correctly as shown in the figure below.

Figure 1



### 5.3.3. DMX Addressing

In a setup with multiple devices, make sure that you set the DMX starting address of each device correctly. The ACT Flood 200 RGBAL has 3 personalities: RAW (5 channels), Basic (8 channels), and Advanced (12 channels).

If you want to connect multiple devices on one data link and use them in 12-channel mode, for example, follow the steps below:

- 01) Set the starting address of the 1<sup>st</sup> device on the data link to 1 (001).
- 02) Set the starting address of the 2<sup>nd</sup> device on the data link to 13 (013), as  $1 + 12 = 13$ .
- 03) Set the starting address of the 3<sup>rd</sup> device on the data link to 25 (025), as  $13 + 12 = 25$ .
- 04) Continue assigning the starting addresses of the remaining devices by adding each time 12 to the previous number.

Make sure that you do not have any overlapping channels in order to control each ACT Flood 200 RGBAL correctly. If two or more devices are addressed similarly, they will work similarly.

## 6. Operation

---

### 6.1. Safety Instructions for Operation

**Attention**

**This device must be used only for the purposes it is designed for.**

This device is intended for professional use as a flood light. It can be installed only indoors. This device is not suitable for households and for general lighting.

Any other use, not mentioned under intended use, is regarded as non-intended and incorrect use.

**Attention****Power supply**

Before connecting the device to the power supply, make sure that the current, voltage and frequency match the input voltage, current and frequency specified on the information label on the device.

## 6.2. Menu Overview

| Level 1             | Level 2            | Level 3                           | Level 4 |
|---------------------|--------------------|-----------------------------------|---------|
| DMX Functions       | DMX Address        | 001–512                           |         |
|                     | Mode               | RAW – 5 Ch.                       |         |
|                     |                    | Basic – 8 Ch.                     |         |
|                     |                    | Adv. – 12 Ch.                     |         |
| DMX Fail            | Manual Defined     |                                   |         |
|                     |                    | Hold                              |         |
|                     |                    | Blackout                          |         |
|                     | View DMX Value     | (Depends on the DMX channel mode) |         |
| Show Settings       | Function Mode      | Knob                              |         |
|                     |                    | Auto                              |         |
|                     |                    | Define                            |         |
|                     | Show Chase         | 001–009                           |         |
|                     | Show Speed         | 00–99                             |         |
| Static Color        | Static Color       | OFF                               |         |
|                     |                    | Pale Lavender                     |         |
|                     |                    | Quarter Blue                      |         |
|                     |                    | Yellow                            |         |
|                     |                    | ...                               |         |
|                     |                    | 7200 K                            |         |
|                     |                    | 7600 K                            |         |
|                     |                    | 8000 K                            |         |
| Fixture Settings    | Dimmer Curve       | Linear                            |         |
|                     |                    | Square Law                        |         |
|                     |                    | Inv. Square Law                   |         |
|                     |                    | S-Curve                           |         |
|                     | Dimmer Speed       | LED                               |         |
|                     |                    | Halogen                           |         |
| White Balance       |                    | Red                               | 125–255 |
|                     |                    | Green                             | 125–255 |
|                     |                    | Blue                              | 125–255 |
| Display Settings    | Display Inverse    | No                                |         |
|                     |                    | Yes                               |         |
|                     | Backlight Auto Off | No                                |         |
|                     |                    | Yes                               |         |
|                     | Display Contrast   | 01–30                             |         |
| Fixture Test        | Auto Test          |                                   |         |
|                     | Manual Defined     | Red                               | 000–255 |
|                     |                    | Green                             | 000–255 |
|                     |                    | Blue                              | 000–255 |
|                     |                    | Amber                             | 000–255 |
|                     |                    | Lime                              | 000–255 |
|                     |                    | Dimmer                            | 000–255 |
| Strobe              |                    | 000–015                           |         |
| Fixture Information | UID                |                                   |         |
|                     | Hours              |                                   |         |
|                     | Version            |                                   |         |
| Special Functions   | Factory Reset      | No                                |         |
|                     |                    | Yes                               |         |

### 6.3. DMX Channels

| RAW<br>5 CH | Basic<br>8 CH | Advanced<br>12 CH | Function | Value   | Setting                              |                        |  |
|-------------|---------------|-------------------|----------|---------|--------------------------------------|------------------------|--|
| 1           | 1             | 1                 | Red      | 000–255 | From low to high intensity (0–100 %) |                        |  |
| 2           | 2             | 2                 | Green    | 000–255 | From low to high intensity (0–100 %) |                        |  |
| 3           | 3             | 3                 | Blue     | 000–255 | From low to high intensity (0–100 %) |                        |  |
| 4           | 4             | 4                 | Amber    | 000–255 | From low to high intensity (0–100 %) |                        |  |
| 5           | 5             | 5                 | Lime     | 000–255 | From low to high intensity (0–100 %) |                        |  |
|             |               |                   |          | 001–004 | Color 1                              | Pale Lavender          |  |
|             |               |                   |          | 005–008 | Color 2                              | Quarter C.T. Blue      |  |
|             |               |                   |          | 009–012 | Color 3                              | Yellow                 |  |
|             |               |                   |          | 013–016 | Color 4                              | Daylight Blue          |  |
|             |               |                   |          | 017–020 | Color 5                              | Light Pink             |  |
|             |               |                   |          | 021–024 | Color 6                              | Light Amber            |  |
|             |               |                   |          | 025–028 | Color 7                              | Half Minus Green       |  |
|             |               |                   |          | 029–032 | Color 8                              | Quarter New Color Blue |  |
|             |               |                   |          | 033–036 | Color 9                              | Oklahoma Yellow        |  |
|             |               |                   |          | 037–040 | Color 10                             | Spring Yellow          |  |
|             |               |                   |          | 041–044 | Color 11                             | Pale Rose              |  |
|             |               |                   |          | 045–048 | Color 12                             | Medium Bastard Amber   |  |
|             |               |                   |          | 049–052 | Color 13                             | Lavender Tint          |  |
|             |               |                   |          | 053–056 | Color 14                             | English Rose           |  |
|             |               |                   |          | 057–060 | Color 15                             | Dark Pink              |  |
|             |               |                   |          | 061–064 | Color 16                             | Mist Blue              |  |
|             |               |                   |          | 065–068 | Color 17                             | Congo Blue             |  |
|             |               |                   |          | 069–072 | Color 18                             | Steel Blue             |  |
|             |               |                   |          | 073–076 | Color 19                             | Lee Green              |  |
|             |               |                   |          | 077–080 | Color 20                             | Fire                   |  |
|             |               |                   |          | 081–084 | Color 21                             | Orange                 |  |
|             |               |                   |          | 085–088 | Color 22                             | Medium Amber           |  |
|             |               |                   |          | 089–092 | Color 23                             | Hampshire Rose         |  |
|             |               |                   |          | 093–096 | Color 24                             | Light Pink             |  |
|             |               |                   |          | 097–100 | Color 25                             | Lee Yellow             |  |
|             |               |                   |          | 101–104 | Color 26                             | Deep Lavender          |  |
|             |               |                   |          | 105–108 | Color 27                             | Lavender Tint          |  |
|             |               |                   |          | 109–112 | Color 28                             | Light Lavender         |  |
|             |               |                   |          | 113–116 | Color 29                             | Old Steel Blue         |  |
|             |               |                   |          | 117–120 | Color 30                             | Madge                  |  |
|             |               |                   |          | 121–124 | Color 31                             | Rose Purple            |  |
|             |               |                   |          | 125–128 | Color 32                             | Rose Pink              |  |
|             |               |                   |          | 129–132 | Color 33                             | Lagoon Blue            |  |
|             |               |                   |          | 133–136 | Color 34                             | Follies Pink           |  |
|             |               |                   |          | 137–140 | Color 35                             | Mist Blue              |  |
|             |               |                   |          | 141–144 | Color 36                             | Magical Magenta        |  |
|             |               |                   |          | 145–148 | Color 37                             | Pale Yellow            |  |
|             |               |                   |          | 149–152 | Color 38                             | Summer Blue            |  |
|             |               |                   |          | 153–156 | Color 39                             | Steel Green            |  |
|             |               |                   |          | 157–160 | Color 40                             | Half Shanklin Frost    |  |
|             |               |                   |          | 161–164 | Color 41                             | Regal Blue             |  |
|             |               |                   |          | 165–168 | Color 42                             | Special Pale Lavender  |  |

6 Static Colors



| RAW<br>5 CH | Basic<br>8 CH | Advanced<br>12 CH | Function           | Value   | Setting                                   |                        |  |
|-------------|---------------|-------------------|--------------------|---------|---|------------------------|--|
|             |               |                   |                    | 169-172 | Color 43                                  | Liberty Green          |  |
|             |               |                   |                    | 173-176 | Color 44                                  | Lilac Tint             |  |
|             |               |                   |                    | 177-180 | Color 45                                  | Lee Fluorescent 4300 K |  |
|             |               |                   |                    | 181-184 | Color 46                                  | No Color Blue          |  |
|             |               |                   |                    | 185-188 | Color 47                                  | Terry Red              |  |
|             |               |                   |                    | 189-192 | Color 48                                  | Lighter Blue           |  |
|             |               |                   |                    | 193-196 | Color 49                                  | Waterfront Green       |  |
|             |               |                   |                    | 197-200 | 2700 K (CRI 91)                           |                        |  |
|             |               |                   |                    | 201-204 | 3200 K (CRI 93)                           |                        |  |
|             |               |                   |                    | 205-208 | 3400 K (CRI 92)                           |                        |  |
|             |               |                   |                    | 209-212 | 3600 K (CRI 93)                           |                        |  |
|             |               |                   |                    | 213-216 | 3800 K (CRI 93)                           |                        |  |
|             |               |                   |                    | 217-220 | 4000 K (CRI 91)                           |                        |  |
|             |               |                   |                    | 221-224 | 4200 K (CRI 93)                           |                        |  |
|             |               |                   |                    | 225-228 | 4400 K (CRI 93)                           |                        |  |
|             |               |                   |                    | 229-232 | 4800 K (CRI 92)                           |                        |  |
|             |               |                   |                    | 233-236 | 5600 K (CRI 91)                           |                        |  |
|             |               |                   |                    | 237-240 | 6000 K (CRI 93)                           |                        |  |
|             |               |                   |                    | 241-244 | 6600 K (CRI 91)                           |                        |  |
|             |               |                   |                    | 245-248 | 7200 K (CRI 90)                           |                        |  |
|             |               |                   |                    | 249-252 | 7600 K (CRI 91)                           |                        |  |
|             |               |                   |                    | 253-255 | 8000 K (CRI 91)                           |                        |  |
|             |               |                   |                    | 000-009 | Dimming mode (CH 1-5)                     |                        |  |
|             |               |                   |                    | 010-024 | 2800 K (CRI 94)                           |                        |  |
|             |               |                   |                    | 025-039 | 3200 K (CRI 93)                           |                        |  |
|             |               |                   |                    | 040-054 | 3600 K (CRI 93)                           |                        |  |
|             |               |                   |                    | 055-069 | 4000 K (CRI 91)                           |                        |  |
|             |               |                   |                    | 070-084 | 4400 K (CRI 93)                           |                        |  |
|             |               |                   |                    | 085-099 | 4800 K (CRI 92)                           |                        |  |
|             |               |                   |                    | 100-114 | 5200 K (CRI 92)                           |                        |  |
|             |               |                   |                    | 115-129 | 5600 K (CRI 91)                           |                        |  |
|             |               |                   |                    | 130-144 | 6000 K (CRI 93)                           |                        |  |
|             |               |                   |                    | 145-159 | 6600 K (CRI 91)                           |                        |  |
|             |               |                   |                    | 160-174 | 7200 K (CRI 90)                           |                        |  |
|             |               |                   |                    | 175-189 | 8000 K (CRI 91)                           |                        |  |
|             |               |                   |                    | 190-255 | 10000 K (CRI 92)                          |                        |  |
|             | 6             | 7                 | CCT                |         |   |                        |  |
|             | 7             | 8                 | Master Dimmer      | 000-255 | From low to high intensity (0-100 %)      |                        |  |
|             |               | 9                 | Master Dimmer Fine | 000-255 | From low to high intensity (0-100 %)      |                        |  |
|             |               |                   |                    | 000-031 | Closed (No light output)                  |                        |  |
|             |               |                   |                    | 032-063 | Open                                      |                        |  |
|             |               |                   |                    | 064-095 | Linear strobe, from low to high frequency |                        |  |
|             |               |                   |                    | 096-127 | Open                                      |                        |  |
|             |               |                   |                    | 128-159 | Pulse strobe, from low to high frequency  |                        |  |
|             |               |                   |                    | 160-191 | Open                                      |                        |  |
|             |               |                   |                    | 192-223 | Random strobe, from low to high frequency |                        |  |
|             |               |                   |                    | 224-255 | Open                                      |                        |  |
|             |               |                   |                    | 000-002 | No Function                               |                        |  |
|             |               | 11                | Built-in programs  | 003-127 | Color 1- 32                               |                        |  |

| RAW<br>5 CH | Basic<br>8 CH | Advanced<br>12 CH | Function | Value   | Setting  |
|-------------|---------------|-------------------|----------|---------|--|
|             |               |                   |          | 128-191 | Color Fade 1-16  |
|             |               |                   |          | 192-255 | Color Change 1-16  |
|             |               | 12                | Speed    | 000-255 | Speed adjustment, from slow to fast (Built-in programs in CH 11) |

**Note:**

- Make sure that the Strobe channel and the Master Dimmer channel are open in 8-CH and 12-CH mode in order to see the light output.
- If you play the built-in programs in 12-CH mode, the strobe (CH 10), the master dimmer (CH 8), and the master dimmer fine (CH 9) are not functional.

## 7. Troubleshooting

This troubleshooting guide contains solutions to problems which can be carried out by an ordinary person. The device does not contain user-serviceable parts.

Unauthorized modifications to the device will render the warranty void. Such modifications may result in injuries and material damage.

Refer servicing to instructed or skilled persons. Contact your Highlite International dealer in case the solution is not described in the table.

| Problem  | Probable cause(s)  | Solution   |
|--|--|--|
| The device does not function at all            | No power to the device   | <ul style="list-style-type: none"> <li>Make sure that the device is connected to power supply and the cables are plugged in</li> </ul>   |
|  | Main fuse is blown   | <ul style="list-style-type: none"> <li>Replace the fuse (see <a href="#">8.3.1. Replacing the Fuse</a> on page 20)</li> </ul>  |
| The device responds erratically                | The factory settings of the device are changed   | <ul style="list-style-type: none"> <li>Reset the parameters of the device to the default factory settings</li> </ul>   |
| The device does not respond to DMX control     | The controller is not connected  | <ul style="list-style-type: none"> <li>Connect the controller</li> </ul>   |
|  | The signal is reversed. The 3-pin DMX OUT of the controller does not match the DMX IN of the device                  | <ul style="list-style-type: none"> <li>Install a phase-reversing cable between the controller and the device</li> </ul>  |
|  | The controller is defective  | <ul style="list-style-type: none"> <li>Try using another controller</li> </ul>   |
| The device responds erratically to DMX control | Connections are defective  | <ul style="list-style-type: none"> <li>Examine connections and cables. Correct defective connections. Repair or replace damaged cables</li> </ul>  |
|  | The data link is not terminated with a 120 $\Omega$ termination plug   | <ul style="list-style-type: none"> <li>Insert a termination plug in the DMX OUT connector of the last device on the link</li> </ul>  |
|  | Incorrect addressing   | <ul style="list-style-type: none"> <li>Make sure that the address settings are correct</li> </ul>  |
|  | In case of a setup with multiple devices, one of the devices is defective and disturbs data transmission on the link | <ul style="list-style-type: none"> <li>To find out the defective device, bypass one device at a time until normal operation is restored</li> </ul>   |
| No light or LEDs cut out intermittently        | LEDs are damaged   | <ul style="list-style-type: none"> <li>Disconnect the device and contact your Highlite International dealer</li> </ul>   |
|  | The input power parameters of the device do not match the local AC voltage and frequency                             | <ul style="list-style-type: none"> <li>Disconnect the device. Make sure that the local current, voltage and frequency match the input voltage, current and frequency specified on the information label on the device</li> </ul> |

## 8. Maintenance

### 8.1. Safety Instructions for Maintenance



**DANGER**  
Electric shock caused by dangerous voltage inside

Disconnect power supply before servicing or cleaning.

### 8.2. Preventive Maintenance



**Attention**  
Before each use, examine the device visually for any defects.

Make sure that:

- All screws used for installing the device or parts of the device are tightly fastened and are not corroded.
- The safety devices are not damaged.
- There are no deformations on housings, fixings and installation points.
- The lens is not cracked or damaged.
- The power cables are not damaged and do not show any material fatigue.

#### 8.2.1. Basic Cleaning Instructions

The external lens of the device must be cleaned periodically in order to optimize the light output. The cleaning schedule depends on the conditions at the site where the device is installed. When smoke or fog machines are used at the site, the device will need more frequent cleaning. On the other hand, if the device is installed in well-ventilated area, it will need less frequent cleaning. To establish a cleaning schedule, examine the device at regular intervals during the first 100 hours of operation.

To clean the device, follow the steps below:

- 01) Disconnect the device from the electrical power supply.
- 02) Allow the device to cool down for at least 15 minutes.
- 03) Remove the dust collected on the external surface with dry compressed air and a soft brush.
- 04) Clean the lens with a damp cloth. Use a mild detergent solution.
- 05) Dry the lens carefully with a lint-free cloth.
- 06) Clean the DMX and other connections with a damp cloth.



**Attention**

- Do not immerse the device in liquid.
- Do not use alcohol or solvents.
- Make sure that the connections are fully dry before connecting the device to the power supply and to other devices.

### 8.3. Corrective Maintenance

The device does not contain user-serviceable parts. Do not open the device and do not modify the device.

Refer repairs and servicing to instructed or skilled persons. Contact your Highlite International dealer for more information.

#### 8.3.1. Replacing the Fuse



**DANGER**  
Electric shock caused by short-circuit

- Do not bypass the thermostatic switch or fuses.
- Replace fuses only with same type and rating.

Power surges, short-circuit or incorrect electrical power supply may cause a fuse to burn out. If the fuse burns out, the device will not function anymore. If this happens, follow the steps below:

- 01) Disconnect the device from the electrical power supply.
- 02) Allow the device to cool down for at least 15 minutes.
- 03) Loosen the fuse cover with a screwdriver and remove the fuse holder.
- 04) If the fuse is brown or unclear, it is burned out. Remove the old fuse.
- 05) Insert a new fuse in the fuse holder. Make sure that the type and the rating of the replacement fuse are the same as the ones specified on the information label of the product.
- 06) Replace the fuse holder in the opening and tighten the fuse cover.

## 9. Deinstallation, Transportation and Storage

### 9.1. Instructions for Deinstallation



**WARNING**  
Incorrect deinstallation can cause serious injuries and damage of property.

- Let the device cool down before dismounting.
- Disconnect power supply before deinstallation.
- Always observe the national and site-specific regulations during deinstallation and derigging of the device.
- Wear personal protective equipment in compliance with the national and site-specific regulations.

### 9.2. Instructions for Transportation

- Use the original packaging to transport the device, if possible.
- Always observe the handling instructions printed on the outer carton box, for example: "Handle with care", "This side up", "Fragile".

### 9.3. Storage

- Clean the device before storing (see [8.2.1. Basic Cleaning Instructions](#) on page 19).
- Store the device in the original packaging, if possible

## 10. Disposal

---

### Correct disposal of this product



Waste Electrical and Electronic Equipment

This symbol on the product, its packaging or documents indicates that the product shall not be treated as household waste. Dispose of this product by handing it to the respective collection point for recycling of electrical and electronic equipment. This is to avoid environmental damage or personal injury due to uncontrolled waste disposal. For more detailed information about recycling of this product contact the local authorities or the authorized dealer.

## 11. Approval

---



Check the respective product page on the website of Highlite International ([www.highlite.com](http://www.highlite.com)) for an available declaration of conformity.



