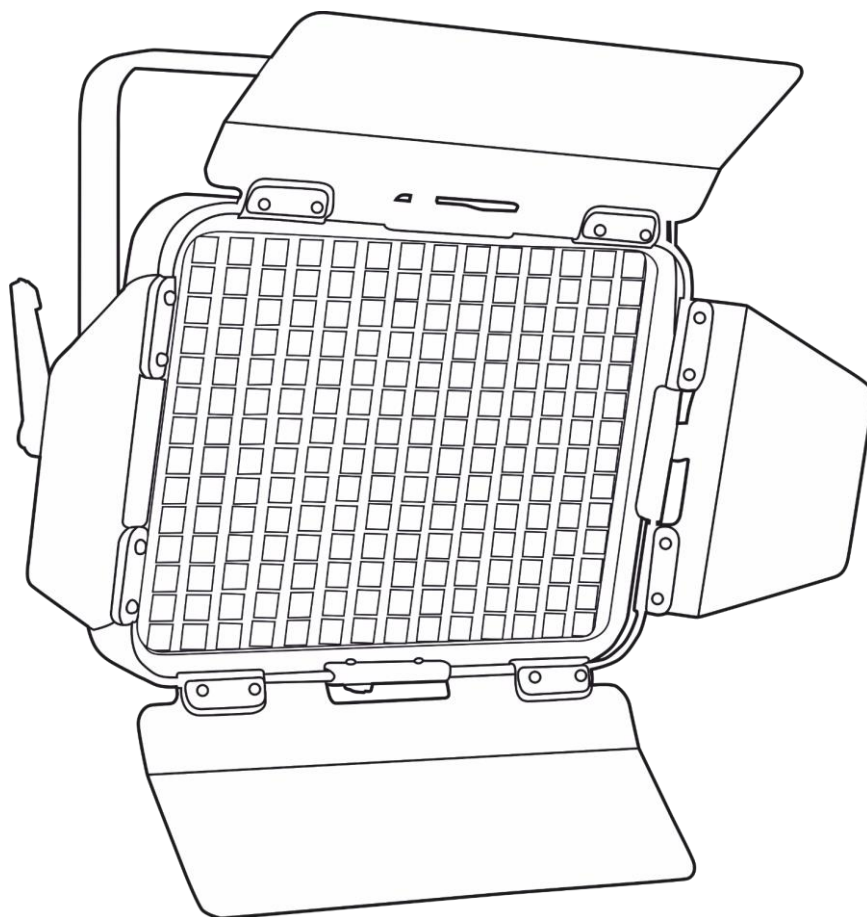




## USER MANUAL



ENGLISH

# Media Panel 50

V1

Product code: 33300

## Preface

---

Thank you for purchasing this Showtec product.

The purpose of this user manual is to provide instructions for the correct and safe use of this product.

Keep the user manual for future reference as it is an integral part of the product. The user manual shall be stored at an easily accessible location.

This user manual contains information concerning:

- Safety instructions
- Intended and non-intended use of the device
- Installation and operation of the device
- Maintenance procedures
- Troubleshooting
- Transport, storage and disposal of the device

Non-observance of the instructions in this user manual may result in serious injuries and damage of property.

©2021 Showtec. All rights reserved.

No part of this document may be copied, published or otherwise reproduced without the prior written consent of Highlite International.

Design and product specifications are subject to change without prior notice.

For the latest version of this document, please visit our website [www.highlite.com](http://www.highlite.com) or contact us at [service@highlite.com](mailto:service@highlite.com).

Highlite International and its authorized service providers are not liable for any injury, damage, direct or indirect loss, consequential or economic loss or any other loss arising from the use of, or inability to use or reliance on the information contained in this document.

## Table of contents

<b>1. Introduction</b> .....	<b>3</b>
1.1. Before Using the Product .....	3
1.2. Intended Use .....	3
1.3. Product Lifespan.....	3
1.4. LEDs Lifespan .....	3
1.5. Text Conventions .....	4
1.6. Symbols and Signal Words.....	4
1.7. Symbols on the Information Label .....	5
<b>2. Safety</b> .....	<b>6</b>
2.1. Warnings and Safety Instructions .....	6
2.2. Requirements for the User.....	8
<b>3. Description of the Device</b> .....	<b>9</b>
3.1. Front View .....	9
3.2. Back View .....	10
3.3. Product Specifications .....	11
3.4. Optional Accessories.....	12
3.5. Dimensions.....	12
<b>4. Installation</b> .....	<b>13</b>
4.1. Safety Instructions for Installation .....	13
4.2. Personal Protective Equipment .....	13
4.3. Installation Site Requirements .....	13
4.4. Rigging .....	14
4.4.1. Angle Adjustment.....	16
4.4.2. Barndoor Installation .....	17
4.4.3. Free-standing Bracket Installation .....	18
4.5. Connecting to Power Supply.....	19
<b>5. Setup</b> .....	<b>20</b>
5.1. Warnings and Precautions .....	20
5.2. Stand-alone Setup .....	20
<b>6. Operation</b> .....	<b>21</b>
6.1. Safety Instructions for Operation.....	21
6.2. Control Mode.....	21
6.3. Control Panel .....	22
6.4. Start-up.....	22
6.4.1. Dimmer .....	22
<b>7. Troubleshooting</b> .....	<b>23</b>
<b>8. Maintenance</b> .....	<b>24</b>
8.1. Preventive Maintenance .....	24
8.1.1. Basic Cleaning Instructions .....	24
8.2. Corrective Maintenance .....	24
<b>9. Deinstallation, Transportation and Storage</b> .....	<b>25</b>
9.1. Instructions for Deinstallation.....	25
9.2. Instructions for Transportation .....	25
9.3. Storage .....	25
<b>10. Disposal</b> .....	<b>25</b>
<b>11. Approval</b> .....	<b>25</b>

## 1. Introduction

### 1.1. Before Using the Product



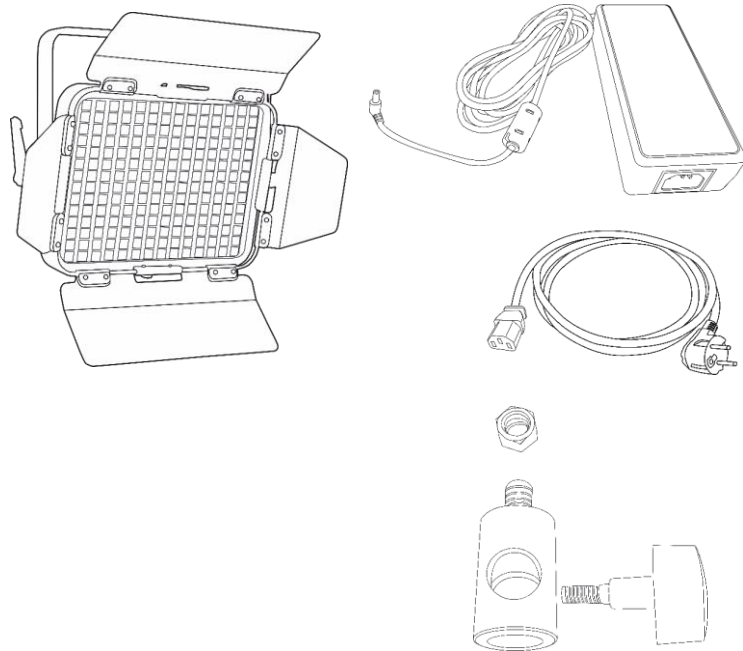
**Important**  
Read and follow the instructions in this user manual before installing, operating or servicing this product.

The manufacturer will not accept liability for any resulting damages caused by the non-observance of this manual.

After unpacking, check the contents of the box. If any parts are missing or damaged, contact your Highlite International dealer.

Your shipment includes:

- Showtec Media Panel 50
- Schuko to IEC power cable (1,5 m)
- Four-blade barndoor
- Spigot adapter
- Power adapter
- User manual



**Fig. 01**

### 1.2. Intended Use

This device is intended for professional use as an indoor spot. It is suitable only for indoor installation. This device is not suitable for households and for general lighting.

Any other use, not mentioned under intended use, is regarded as non-intended and incorrect use.

### 1.3. Product Lifespan

This device is not designed for permanent operation. Disconnect the device from the electrical power supply when the device is not in operation. This will reduce the wear and will improve the device's lifespan.

### 1.4. LEDs Lifespan

The light output of the LEDs gradually decreases over time (lumen depreciation). High operating temperatures contribute to this process. You can extend the lifespan of the LEDs by providing adequate ventilation and operating the LEDs at the lowest possible brightness.

## 1.5. Text Conventions

Throughout the user manual the following text conventions are used:

- Buttons: All buttons are in bold lettering, for example “Press the **UP/DOWN** buttons”
- References: References to chapters and parts of the device are in bold lettering, for example: “Refer to **2. Safety**”, “turn the **adjustment screw (02)**”
- 0–255: Defines a range of values
- Notes: **Note:** (in bold lettering) is followed by useful information or tips

## 1.6. Symbols and Signal Words

Safety notes and warnings are indicated throughout the user manual by safety signs.

Always follow the instructions provided in this user manual.



### **DANGER**

Indicates an imminently hazardous situation which, if not avoided, will result in death or serious injury.



### **WARNING**

Indicates a potentially hazardous situation which, if not avoided, could result in death or serious injury.



### **CAUTION**

Indicates a potentially hazardous situation, which, if not avoided, may result in minor or moderate injury.



### **Attention**

Indicates important information for the correct operation and use of the product.



### **Important**

Read and observe the instructions in this document.



### **Electrical hazard**



Provides important information about the disposal of this product.

### 1.7. Symbols on the Information Label

This product is provided with an information label. The information label is located on the backside of the device.

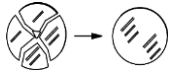
The information label contains the following symbols:



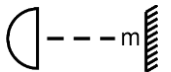
This device shall not be treated as household waste.



This device falls under IEC protection class II.



Replace any cracked protective shield.



Minimum distance from lighted objects.

## 2. Safety



**Important**  
Read and follow the instructions in this user manual before installing, operating or servicing this product.

The manufacturer will not accept liability for any resulting damages caused by the non-observance of this manual.

### 2.1. Warnings and Safety Instructions



**DANGER**  
Danger for children

For adult use only. The device must be installed beyond the reach of children.

- Do not leave various parts of the packaging (plastic bags, polystyrene foam, nails, etc.) within children's reach. Packaging material is a potential source of danger for children.



**DANGER**  
Electric shock caused by short-circuit

This device falls under IEC protection class II.

- Make sure that the device is electrically connected to ground (earth). Connect the device only to a socket-outlet with ground (earth) connection.
- Do not cover the ground (earth) connection.
- Do not bypass the thermostatic switch or fuses.
- For replacement use fuses of the same type and rating only.
- Do not let the power cable come into contact with other cables. Handle the power cable and all connections with the mains with caution.
- Do not modify, bend, mechanically strain, put pressure on, pull or heat up the power cable.
- Make sure that the power cable is not crimped or damaged. Examine the power cable periodically for any defects.
- Do not immerse the device in water or other liquids. Do not install the device in a location where flooding may occur.
- Do not use the device during thunderstorms. Disconnect the device from the electrical power supply immediately.



**Attention**  
Power supply

Before connecting the device to the power supply, make sure that the current, voltage and frequency match the input voltage, current and frequency specified on the information label on the device.



**Attention**  
**General safety**

- Do not connect the device to a dimmer pack.
- Do not switch the device on and off in short intervals. This decreases the device's life.
- Do not shake the device. Avoid brute force when installing or operating the device.
- Change the lens or the LEDs if they are visibly damaged to such an extent that their effectiveness is impaired, for example by cracks or deep scratches. Contact your Highlite International dealer for more information, as servicing can be performed only by instructed or skilled persons.
- If the device is dropped or struck, disconnect the device from the electrical power supply immediately.
- If the device is exposed to extreme temperature variations (e.g. after transportation), do not switch it on immediately. Let the device reach room temperature before switching it on, otherwise it may be damaged by the formed condensation.
- If the device fails to work properly, discontinue the use immediately.



**Attention**  
**For professional use only**  
**This device shall be used only for the purposes it is designed for.**

This device is designed to be used as an indoor spot. Any incorrect use may lead to hazardous situations and result in injuries and material damage.

- This device is not suitable for households and for general lighting.
- This device is not designed for permanent operation.
- This device contains a non-user-replaceable light source.
- This device does not contain user-serviceable parts. Unauthorized modifications to the device will render the warranty void. Such modifications may result in injuries and material damage.



**Attention**  
**Before each use, examine the device visually for any defects.**

Make sure that:

- All screws used for installing the device or parts of the device are tightly fastened and are not corroded.
- The safety devices are not damaged.
- There are no deformations on housings, fixations and installation points.
- The lens is not cracked or damaged.
- The power cables are not damaged and do not show any material fatigue.



**Attention**  
**Do not expose the device to conditions that exceed the rated IP class conditions.**

This device is IP20 rated. IP (Ingress Protection) 20 class provides protection against solid objects greater than 12 mm, such as fingers, and no protection against harmful ingress of water.



## **2.2. Requirements for the User**

This product may be used by ordinary persons. Maintenance may be carried by ordinary persons. Installation and service shall be carried out only by instructed or skilled persons. Contact your Highlite dealer for more information.

Instructed persons have been instructed and trained by a skilled person, or are supervised by a skilled person, for specific tasks and work activities associated with the installation, service and maintenance of this product, so that they can identify risks and take precautions to avoid them.

Skilled persons have training or experience, which enables them to recognize risks and to avoid hazards associated with the installation, service and maintenance of this product.

Ordinary persons are all persons other than instructed persons and skilled persons. Ordinary persons include not only users of the product but also any other persons that may have access to the device or who may be in the vicinity of the device.

### 3. Description of the Device

The Media Panel 50 a bright 50 watt Daylight White Video LED Panel suited for various studio and video applications. A V-Mount Battery Holder is optional for mobile use (ordercode [33310](#)). This optional accessory requires a 24V battery life pack.

#### 3.1. Front View

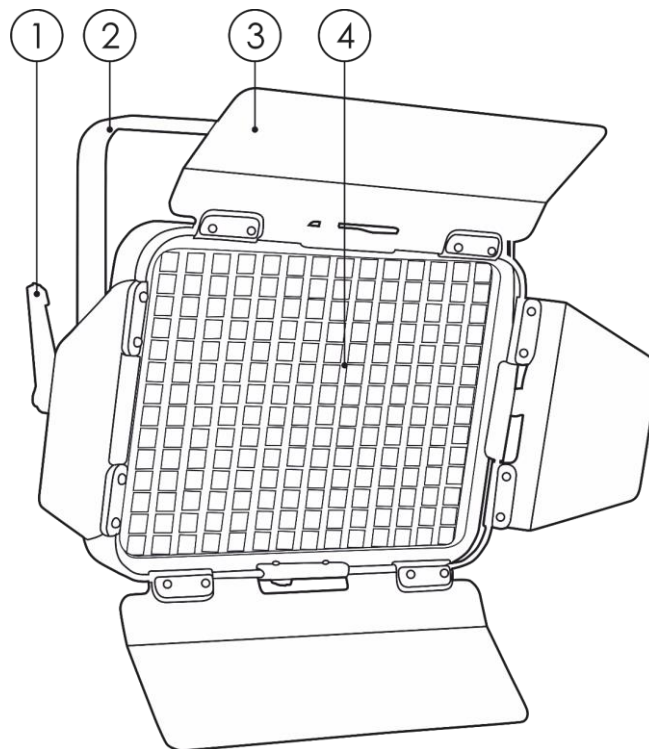


Fig. 02

- 01) Adjustment screw
- 02) Mounting bracket
- 03) Barn door
- 04) 196x 0,5 W White LED

3.2. Back View

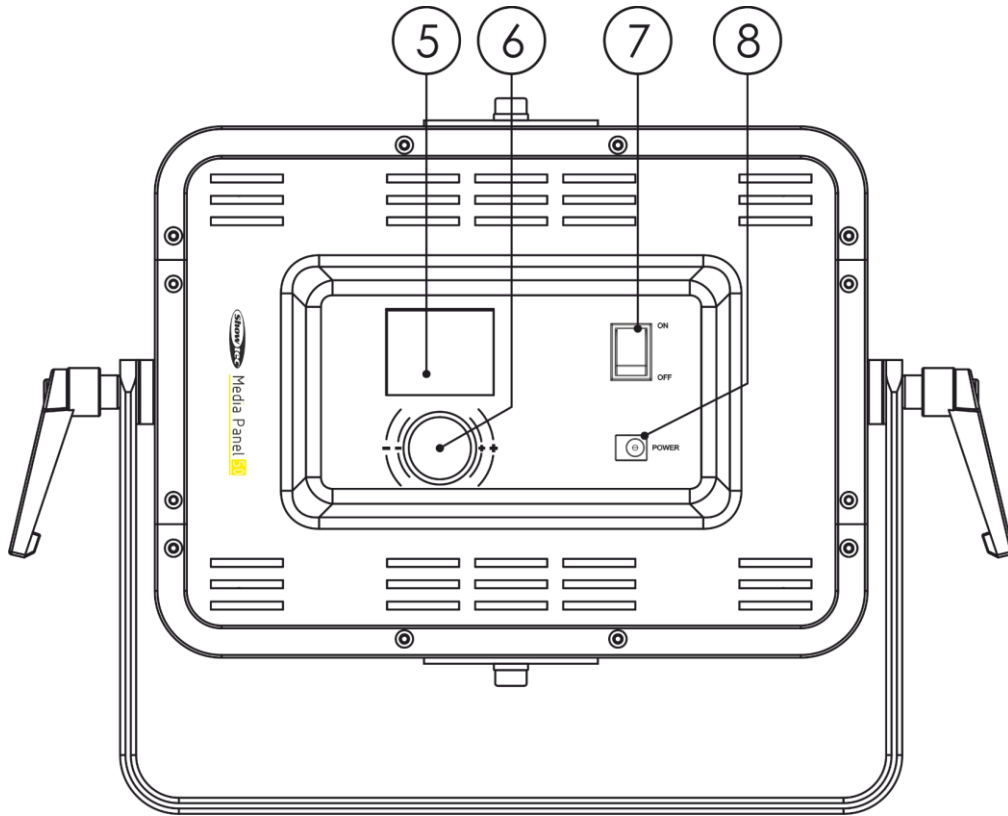


Fig. 03

- 05) LED Display
- 06) Dimmer control
- 07) ON/OFF
- 08) 24 V DC power adapter IN

### 3.3. Product Specifications

Model:	Media Panel 50
<b>Electrical:</b>	
Input voltage:	24 V DC
Input current:	1 A
Power consumption:	50 W
<b>Physical:</b>	
Dimensions:	376 x 273 x 55 mm (LxWxH)
Weight:	1,8 kg
<b>Optics:</b>	
Light source:	196x 0,5 W White LED
Dimmer:	0–100 %
CCT	5000 K
CRI	98
Lumen Total	4000 lm
Lux @ 2m	511 lx
Lux @ 3m	227 lx
Beam Angle Circular	87 °
Field Angle Circular	143 °
<b>Operation and control:</b>	
Control:	Manual
Control panel:	LED display
<b>Connections:</b>	
Power connections:	IEC cable connected to 24 V DC adapter
<b>AC power adapter:</b>	
Input voltage:	100–240 V AC, 50/60 Hz
Input current:	2,0 A
Output voltage:	24 V DC
Output current:	2,5 A
<b>Construction:</b>	
Housing:	Metal
Color:	Dark Gray
IP rating:	IP20
Cooling:	Convection
	16mm Spigot
<b>Thermal:</b>	
Maximum ambient temperature $t_a$ :	45 °C
Minimum Operating Temperature	0 °C
Maximum housing temperature $t_c$ :	65 °C
<b>Minimum distance:</b>	
Minimum distance from flammable surfaces:	0,3 m
Minimum distance to lighted object:	0,8 m

### 3.4. Optional Accessories

The Media Panel is delivered with accessories. You can additionally purchase the following accessory:

Product code: [33310](#) (Showtec A V-Mount Battery Holder is optional for mobile use)

### 3.5. Dimensions

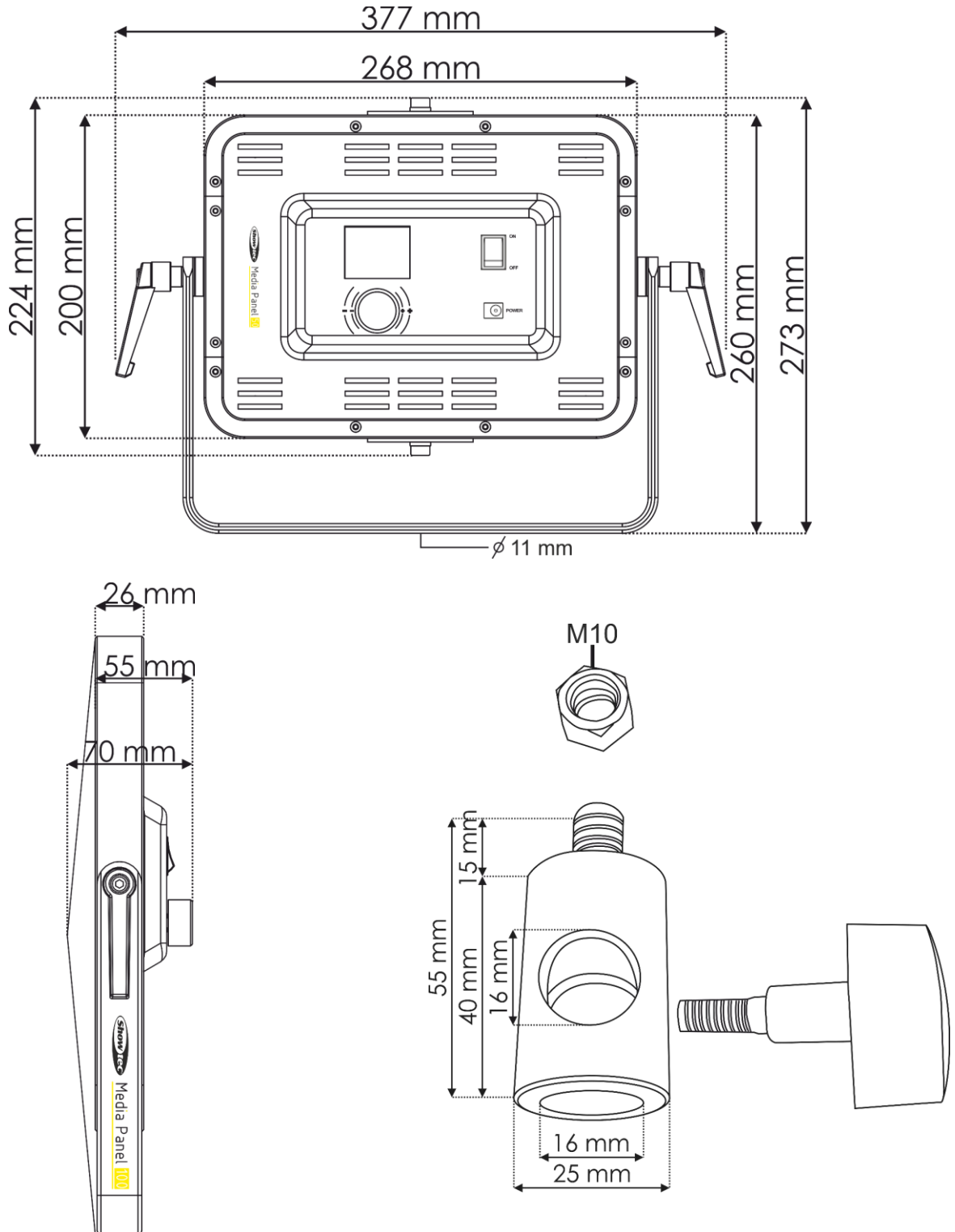


Fig. 04

## 4. Installation

---

### 4.1. Safety Instructions for Installation



**WARNING**

**Incorrect installation can cause serious injuries and damage of property.**

If trussing systems are used, installation must be carried out only by instructed or skilled persons.

Follow all applicable European, national and local safety regulations concerning rigging and trussing.

### 4.2. Personal Protective Equipment

During installation and rigging wear personal protective equipment in compliance with the national and site-specific regulations.

### 4.3. Installation Site Requirements

- The device can be used only indoors.
- The device can be mounted to a truss or other rigging structure in any orientation.
- The minimum distance to other objects must be bigger than 0,3 m.
- The minimum distance between the light output and the illuminated surface must be bigger than 0,8 m.
- The maximum ambient temperature  $t_a = 40\text{ °C}$  must never be exceeded.
- The relative humidity must not exceed 50 % with an ambient temperature of  $40\text{ °C}$ .

#### 4.4. Rigging

The device can be positioned on a flat surface or mounted to a truss or other rigging structure in any orientation. Make sure that all loads are within the pre-determined limits of the supporting structure.

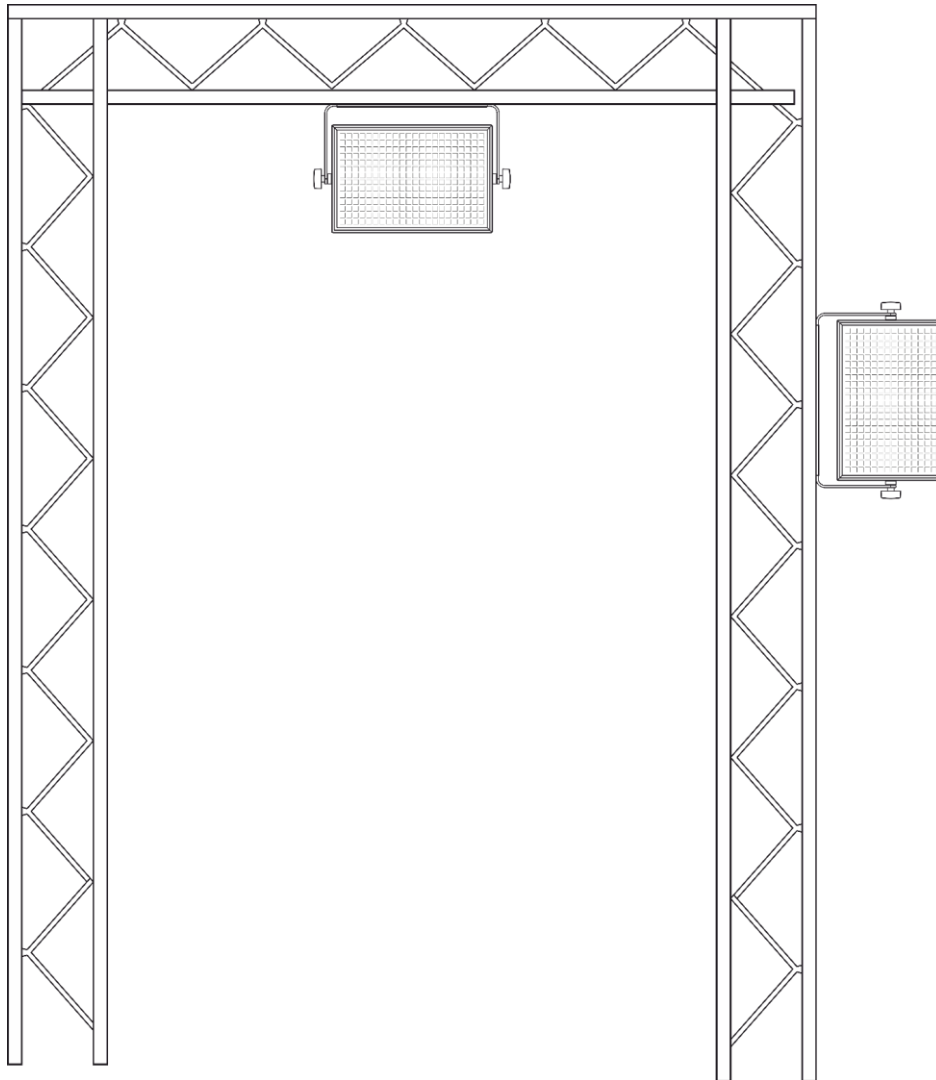


Fig. 05



**CAUTION**

Restrict the access under the work area during rigging and/or derigging.

To mount the device, follow the steps below:

- 01) Use a clamp to attach the device to the supporting structure, as shown in Fig. 05. Make sure that the device cannot move freely.
- 02) Secure the device with a secondary suspension, for example a safety cable. Make sure that the secondary suspension can hold 10 times the weight of the device. If possible, the secondary suspension should be attached to a supporting structure independent of the primary suspension. Put the safety cable through the **mounting bracket (02)**, as shown in Fig. 06.

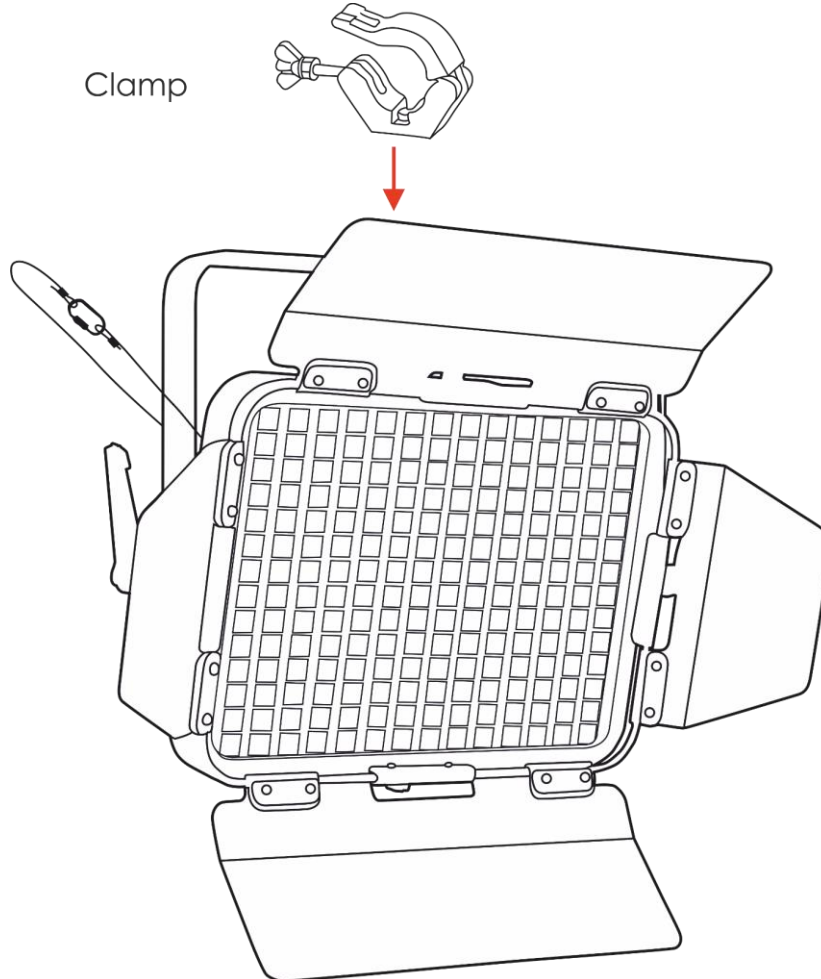


Fig. 06



### 4.4.1. Angle Adjustment

You can adjust the angle of the device with the **adjustment screw (01)**.

- 01) Turn the **adjustment screw (01)** counterclockwise to release it.
- 02) Tilt the device to the desired angle (see Fig. 07).
- 03) Turn the **adjustment screw (01)** clockwise to tighten it. Make sure that the device cannot move freely after the **adjustment screw (01)** is tightened.

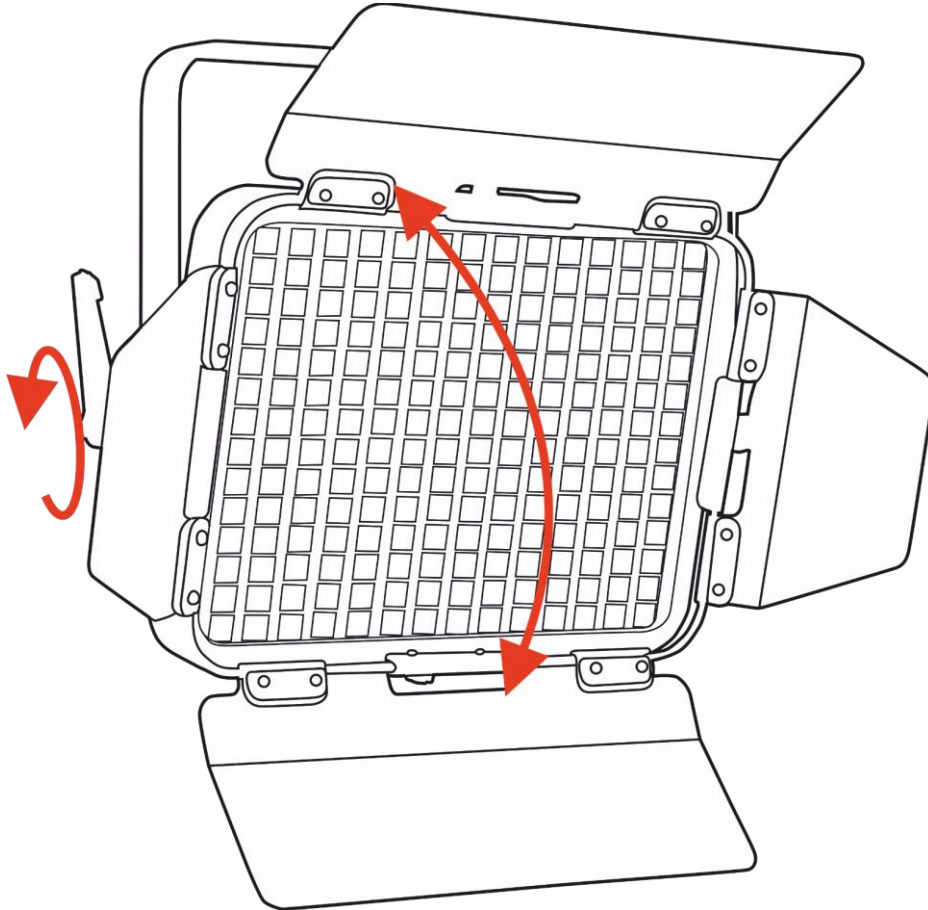


Fig. 07

### 4.4.2. Barndoor Installation

The accessory frame is equipped with a spring-loaded clip. This prevents the barndoor from falling out.

- 01) Install the barndoor frame (see Fig. 08).
- 02) Hold the spring-loaded clip and pull it upwards on the top of the device and pull it downwards at the bottom (see Fig. 09).
- 03) Release each spring-loaded clip once it is over the designated mounting hole at the bottom and the top of the device (see Fig. 10).

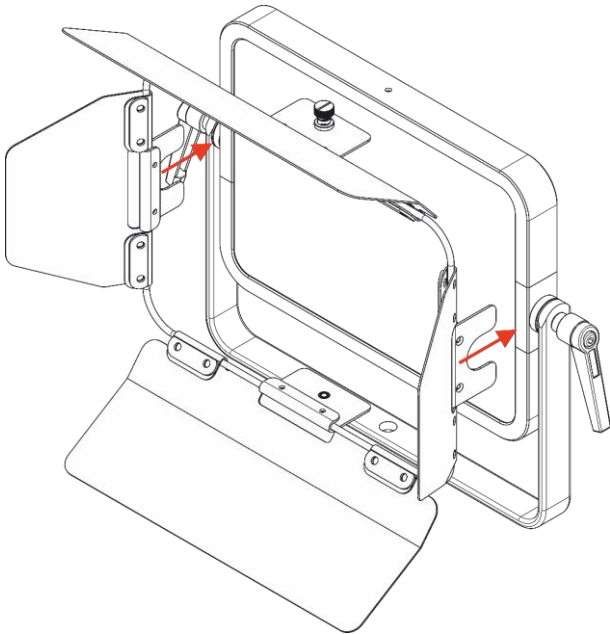


Fig. 08

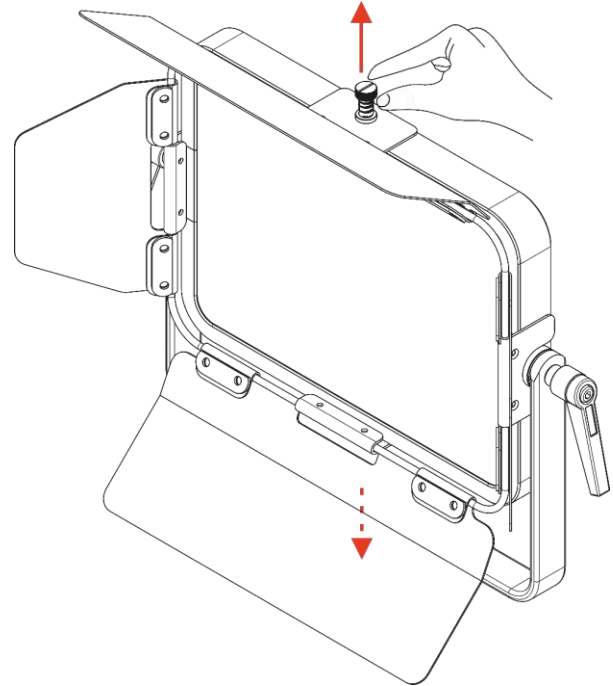


Fig. 09

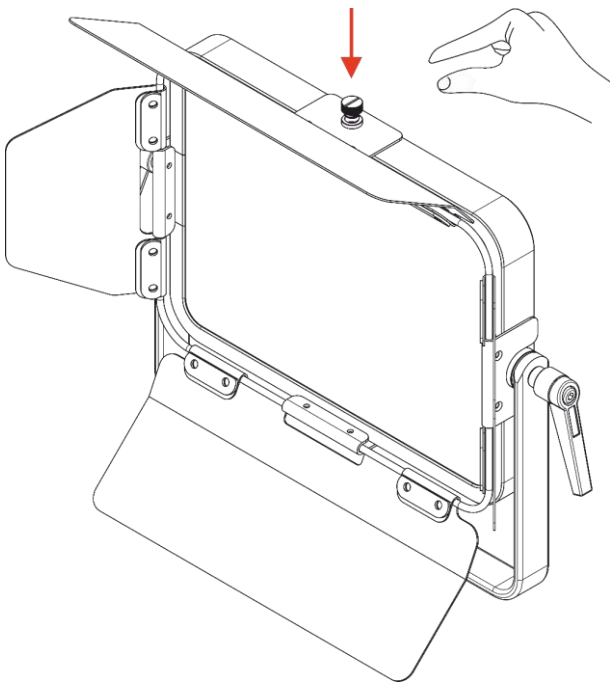


Fig. 10

#### 4.4.3. Free-standing Bracket Installation

- 01) Put the free-standing bracket on the Media Panel.
- 02) Install all elements as shown in Fig. 11.
- 03) Tighten the screws.

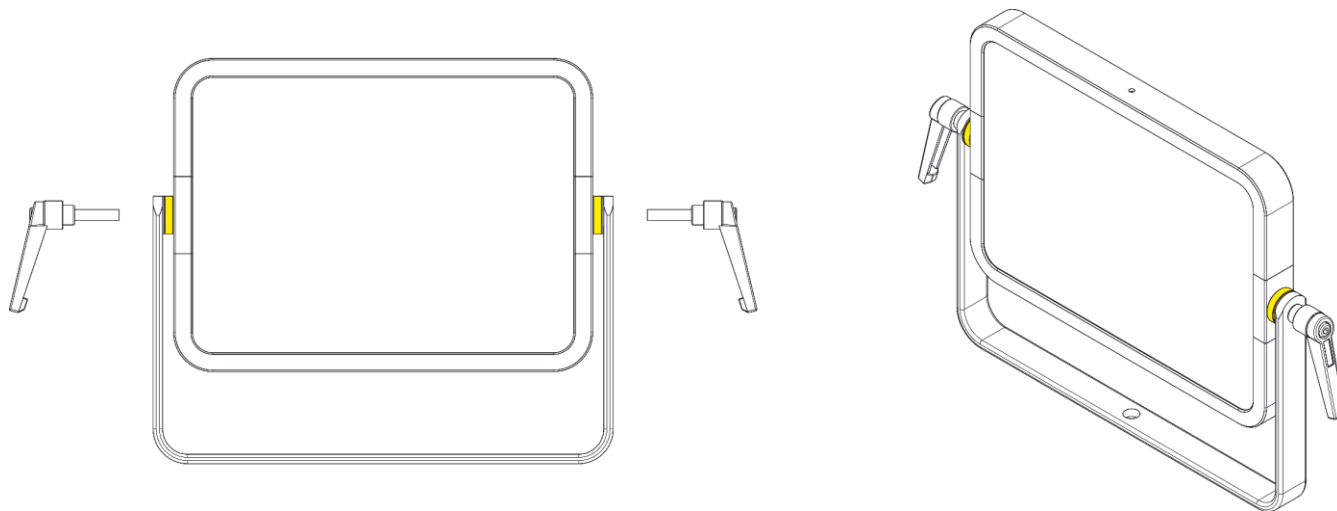


Fig. 11

## 4.5. Connecting to Power Supply



### Attention Power supply

This device falls under IEC protection class II. This device shall be connected to an external power supply.

This device is delivered with an AC power adapter. Before connecting the AC power adapter to the socket-outlet, make sure that the power supply matches the input voltage specified on the information label on the AC power adapter.

To turn the device on, follow the steps below:

- 01) Connect the AC power adapter to the device. Use only the AC power adapter delivered with the device.
- 02) Connect the AC power adapter to the socket-outlet.

## 5. Setup

---

### 5.1. Warnings and Precautions



**Attention**  
Connect the cable before supplying power.

### 5.2. Stand-alone Setup

The Media Panel functions as a stand-alone device, It cannot be connected to a controller or to other devices. It can be only be operated manually.

For more information about the control mode, refer to **6.2. Control Mode** on page 21.

## 6. Operation

---

### 6.1. Safety Instructions for Operation



**Attention**

**This device must be used only for the purposes it is designed for.**

This device is intended for professional use as an indoor spot. It is suitable only for indoor installation. This device is not suitable for households and for general lighting.

Any other use, not mentioned under intended use, is regarded as non-intended and incorrect use.



**Attention**

**Power supply**

Before connecting the device to the power supply, make sure that the current, voltage and frequency match the input voltage, current and frequency specified on the information label on the device.

### 6.2. Control Mode

The Media Panel supports the following control mode:

- Stand-alone: Dimmer

To operate the device manually as a stand-alone device:

01) Adjust the light intensity. See **6.4.1. Dimmer** on page 22 for more information.

### 6.3. Control Panel

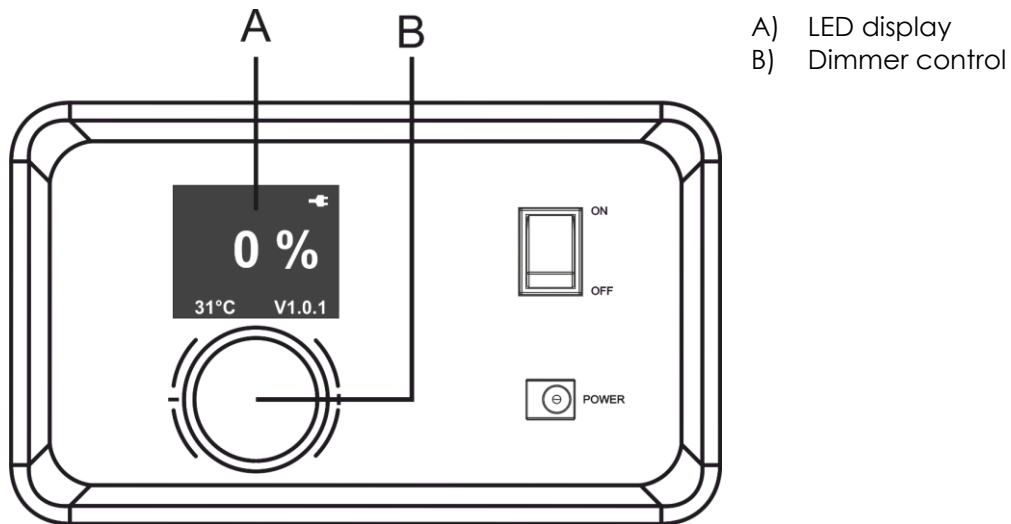


Fig. 15

- Use the **Dimmer Control** to increase/decrease numeric dimmer values.

### 6.4. Start-up

The display will show the current software version.

#### 6.4.1. Dimmer

In this menu you can set the dimmer.

- 01) Turn the control wheel to set the dimmer intensity. The adjustment range is 0–100%, from dark to brightest.

## 7. Troubleshooting

This troubleshooting guide contains solutions to problems which can be carried out by an ordinary person. The device does not contain user-serviceable parts.

Unauthorized modifications to the device will render the warranty void. Such modifications may result in injuries and material damage.

Refer servicing to instructed or skilled persons. Contact your Highlite International dealer in case the solution is not described in the table.

Problem	Probable cause(s)	Solution
The device does not function at all	No power to the device	<ul style="list-style-type: none"> <li>• Check if power is switched on and cables are plugged in</li> </ul>
	Internal fuse is blown	<ul style="list-style-type: none"> <li>• Disconnect the device and contact your Highlite International dealer</li> </ul>
No light or LEDs cut out intermittently	LEDs are damaged	<ul style="list-style-type: none"> <li>• Disconnect the device and contact your Highlite International dealer</li> </ul>
	The power supply settings do not match local AC voltage and frequency	<ul style="list-style-type: none"> <li>• Disconnect the device. Check the settings and correct, if necessary</li> </ul>



## 8. Maintenance

### 8.1. Preventive Maintenance



**Attention**

**Before each use, examine the device visually for any defects.**

Make sure that:

- All screws used for installing the device or parts of the device are tightly fastened and are not corroded.
- The safety devices are not damaged.
- There are no deformations on housings, fixations and installation points.
- The lens is not cracked or damaged.
- The power cables are not damaged and do not show any material fatigue.

#### 8.1.1. Basic Cleaning Instructions

The external lens of the device must be cleaned periodically in order to optimize the light output. The cleaning schedule depends on the conditions at the site where the device is installed. When smoke or fog machines are used at the site, the device will need more frequent cleaning. On the other hand, if the device is installed in well-ventilated area, it will need less frequent cleaning. To establish a cleaning schedule, examine the device at regular intervals during the first 100 hours of operation.

To clean the device, follow the steps below:

- 01) Disconnect the device from the electrical power supply.
- 02) Allow the device to cool down for at least 15 minutes.
- 03) Remove the dust collected on the external surface with dry compressed air and a soft brush.
- 04) Clean the lens with a damp cloth. Use a mild detergent solution.
- 05) Dry the lens carefully with a lint-free cloth.
- 06) Clean the DMX and other connections with a damp cloth.



**Attention**

- Do not immerse the device in liquid.
- Do not use alcohol or solvents.
- Make sure that the connections are fully dry before connecting the device to the power supply and to other devices.

### 8.2. Corrective Maintenance

The device does not contain user-serviceable parts. Do not open the device and do not modify the device.

Refer repairs and servicing to instructed or skilled persons. Contact your Highlite International dealer for more information.

## 9. Deinstallation, Transportation and Storage

---

### 9.1. Instructions for Deinstallation



**WARNING**

**Incorrect deinstallation can cause serious injuries and damage of property.**

- Let the device cool down before dismounting.
- Disconnect power supply before deinstallation.
- Always observe the national and site-specific regulations during deinstallation and derigging of the device.
- Wear personal protective equipment in compliance with the national and site-specific regulations.

### 9.2. Instructions for Transportation

- Use the original packaging to transport the device, if possible.
- Always observe the handling instructions printed on the outer carton box, for example: "Handle with care", "This side up", "Fragile".

### 9.3. Storage

- Clean the device before storing. Follow the cleaning instructions in chapter **8.1.1. Basic Cleaning Instructions** on page 24.
- Store the device in the original packaging, if possible.

## 10. Disposal

---

### Correct disposal of this product



#### Waste Electrical and Electronic Equipment

This symbol on the product, its packaging or documents indicates that the product shall not be treated as household waste. Dispose of this product by handing it to the respective collection point for recycling of electrical and electronic equipment. This is to avoid environmental damage or personal injury due to uncontrolled waste disposal. For more detailed information about recycling of this product contact the local authorities or the authorized dealer.

## 11. Approval

---



Check the respective product page on the website of Highlite International ([www.highlite.com](http://www.highlite.com)) for an available declaration of conformity.





©2021 Showtec