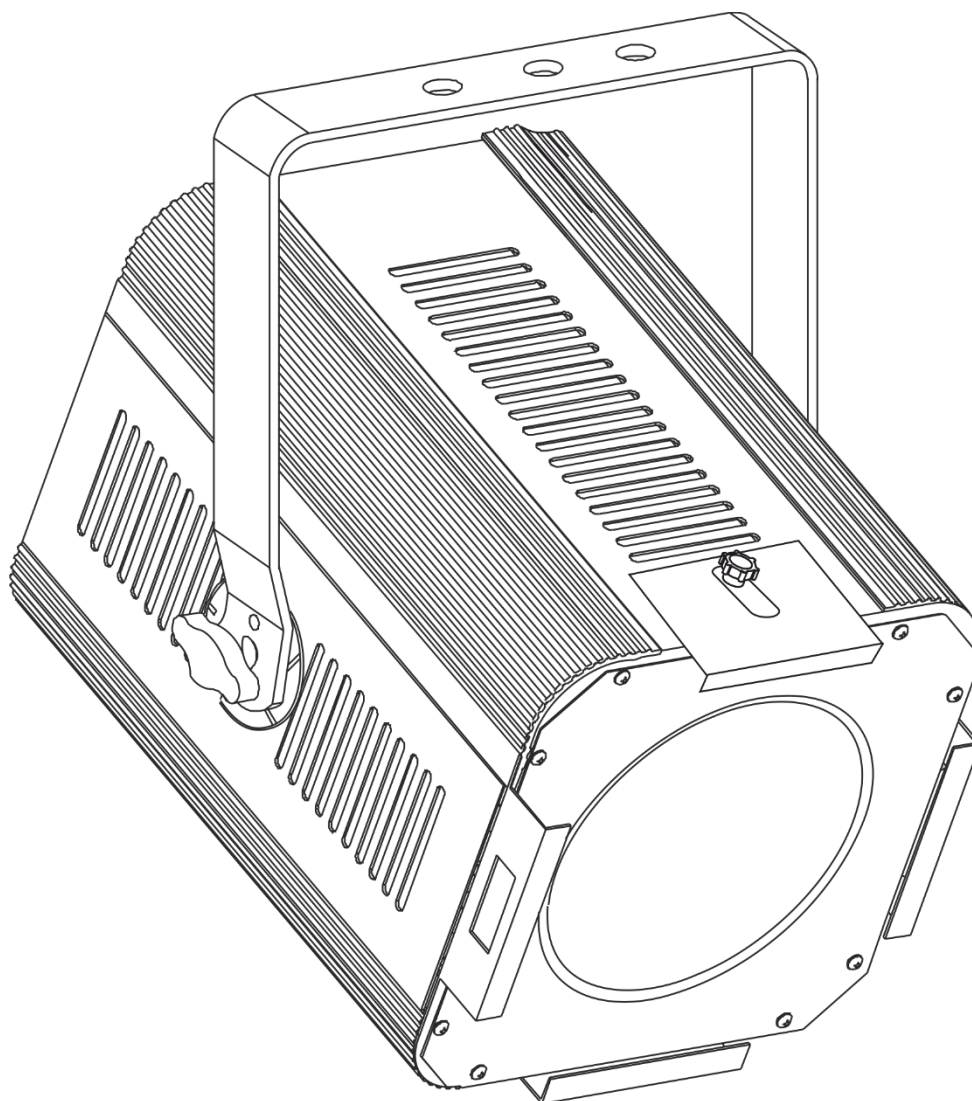




MANUAL



ENGLISH

StageBeam 300/500W PC

V1

Ordercode: 30531

Table of contents

Warning2
Safety Instructions2
Operating Determinations4
Rigging4
Return Procedure6
Claims.....6

Description of the device.....7
Overview7

Installation.....8

Set Up and Operation8
Installing the lamp.....8
Adjusting the beam angle9
Filter frame retaining clip and locking screw9

Maintenance10
Changing the lamp10

Troubleshooting11
No Light11

Product Specifications12

Dimensions.....13

Notes14

Warning



**For your own safety, please read this user manual carefully
before your initial start-up!**

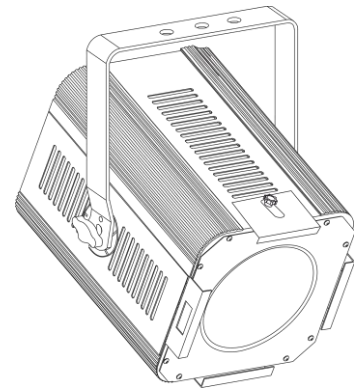


Unpacking Instructions

Immediately upon receiving this product, carefully unpack the carton and check the contents to ensure that all parts are present, and have been received in good condition. Notify the dealer immediately and retain packing material for inspection if any parts appear damaged from shipping or the carton itself shows signs of mishandling. Save the carton and all packing materials. In the event that a fixture must be returned to the factory, it is important that the fixture be returned in the original factory box and packing.

Your shipment includes:

- StageBeam 300/500W PC with Schuko power cable (0,8 m)
- Filter frame
- User manual



CAUTION!
Keep this device away from rain and moisture!
Unplug mains lead before opening the housing!



Safety Instructions

Every person involved with the installation, operation and maintenance of this device has to:

- be qualified
- follow the instructions of this manual



CAUTION! Be careful with your operations.
**With a dangerous voltage you can suffer
a dangerous electric shock when touching the wires!**



Before the initial start-up, please make sure that there is no damage caused by transportation. Should there be any, consult your dealer and do not use the device.

To maintain perfect condition and to ensure a safe operation, it is absolutely necessary for the user to follow the safety instructions and warning notes contained in this manual.

Please consider that damages caused by manual modifications to the device are not subject to warranty.

This device contains no user-serviceable parts. Refer servicing to qualified technicians only.

IMPORTANT:

The manufacturer will not accept liability for any resulting damages caused by the non-observance of this manual or any unauthorized modification to the device.

- Never let the power cord come into contact with other cables! Handle the power cord and all connections with the mains with particular caution!
- Never remove warning or informative labels from the unit.
- Never use anything to cover the ground contact.
- Never lift the fixture holding it by the projector-head, as the mechanics may be damaged. Always hold the fixture by the transport handles.
- Never place any material over the lens.
- Never run the device without lamp!
- Never look directly into the light source.
- Never leave any cables lying around.
- Do not insert objects into air vents.
- Do not connect this device to a dimmerpack.
- Do not switch the device on and off in short intervals, as this will reduce the device's life.
- Do not touch the device's housing bare-handed during its operation (housing becomes very hot). Allow the fixture to cool for at least 5 minutes before handling.
- Do not shake the device. Avoid brute force when installing or operating the device.
- Only use the device indoors, avoid contact with water or other liquids.
- Only operate the fixture after having checked if the housing is firmly closed and all screws are tightly fastened.
- Only operate the device after having familiarized with its functions.
- Avoid flames and do not put close to flammable liquids or gases.
- Always keep the case closed while operating.
- Always replace the lamp, when it is damaged or deformed due to the heat.
- Always allow a free air space of at least 50 cm around the unit for ventilation.
- Always disconnect power from the mains, when device is not used or before cleaning or when replacing lamp! Only handle the power cord holding it by the plug. Never pull out the plug by tugging the power cord.
- Make sure that the device is not exposed to extreme heat, moisture or dust.
- Make sure that the available voltage is not higher than stated on the rear panel.
- Make sure that the power cord is never crimped or damaged. Check the device and the power cord from time to time.
- If the lens is obviously damaged, it has to be replaced, so that its functions are not impaired due to cracks or deep scratches.
- If device was dropped or struck, disconnect mains power supply immediately. Have a qualified engineer inspect for safety before operating.
- If the device has been exposed to drastic temperature fluctuation (e.g. after transportation), do not switch it on immediately. The arising condensation water might damage your device. Leave the device switched off until it has reached room temperature.
- If your Showtec device fails to work properly, discontinue the use immediately. Pack the unit securely (preferably in the original packing material), and return it to your Showtec dealer for service.
- For adult use only. The fixture must be installed beyond the reach of children. Never leave the unit running unattended.
- Never attempt to bypass the thermostatic switch or fuses.
- For replacement use lamps and fuses of same type and rating only.
- The user is responsible for correct positioning and operating of the StageBeam. The manufacturer will not accept liability for damages caused by the misuse or incorrect installation of this device.
- Allow time to cool down, before replacing lamp.
- This device falls under protection class I. Therefore it is essential to connect the yellow/green conductor to earth.
- Repairs, servicing and electric connection must be carried out by a qualified technician.
- WARRANTY: Till one year after date of purchase.



CAUTION! Eyedamages!!!
Avoid looking directly into the lightsource!!!
(meant especially for epileptics)!!!



Operating Determinations

- This device is not designed for permanent operation. Consistent operation breaks will ensure that the device will serve you for a long time without defects.
- The minimum distance between light output and the illuminated surface must be bigger than 1 meter.
- The maximum ambient temperature $t_a = 25^\circ\text{C}$ must never be exceeded.
- The relative humidity must not exceed 50 % with an ambient temperature of 25°C .
- If this device is operated in any other way than the one described in this manual, the product may suffer damages and the warranty becomes void.
- Any other operation may lead to dangers like short-circuit, burns, electric shock, crash, etc.

You endanger your own safety and the safety of others!

Rigging

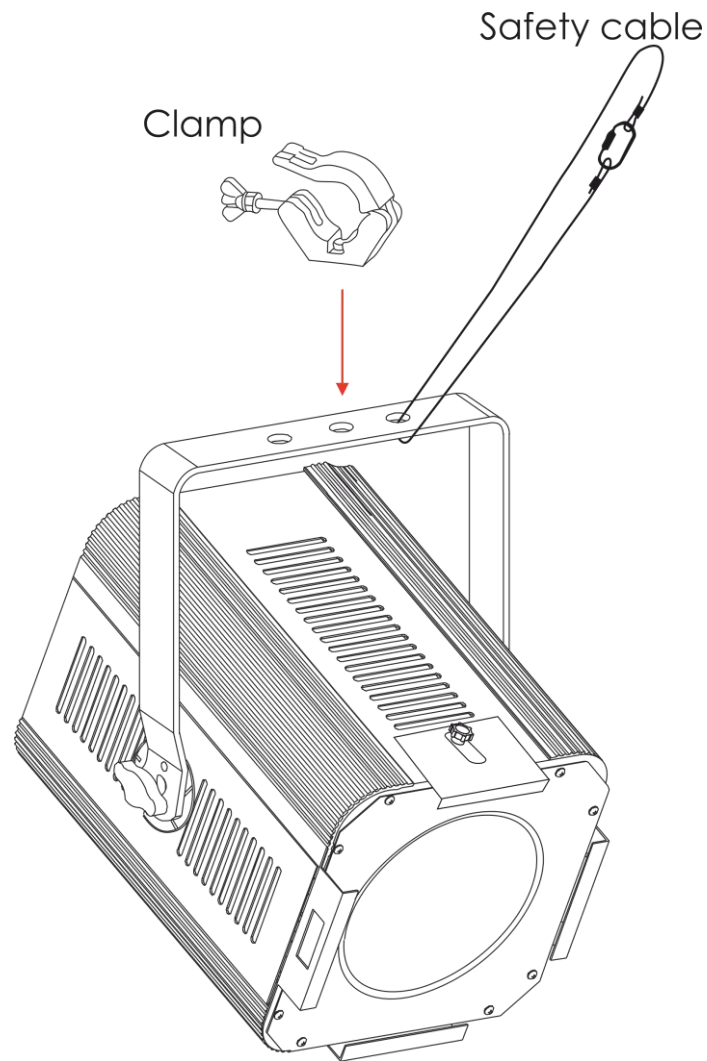
Please follow the European and national guidelines concerning rigging, trussing and all other safety issues.

Do not attempt the installation yourself !

Always let the installation be carried out by an authorized dealer !

Procedure:

- If the StageBeam is lowered from the ceiling or high joists, professional trussing systems have to be used.
- Use a clamp to mount the StageBeam, with the mounting bracket, to the trussing system.
- The StageBeam must never be fixed swinging freely in the room.
- The installation must always be secured with a safety attachment, e.g. an appropriate safety net or safety cable.
- When rigging, derigging or servicing the StageBeam, always make sure, that the area below the installation site is secured and that there are not any unauthorized people around.




The StageBeam can be mounted to any kind of truss with a clamp.

Improper installation can cause serious injuries and/or damage of property!

Connection with the mains

Connect the device to the mains with the power-plug.

Always check if the right color cable is connected to the right place.

International	EU Cable	UK Cable	US Cable	Pin
L	BROWN	RED	YELLOW/COPPER	PHASE
N	BLUE	BLACK	SILVER	NEUTRAL
	YELLOW/GREEN	GREEN	GREEN	PROTECTIVE GROUND

Make sure that the device is always properly connected to the earth!

Improper installation can cause serious injuries and/or damage of property!



Return Procedure

Returned merchandise must be sent prepaid and in the original packing, call tags will not be issued. Package must be clearly labeled with a Return Authorization Number (RMA number). Products returned without an RMA number will be refused. Highlite will not accept the returned goods or any responsibility. Call Highlite 0031-455667723 or mail offersales@highlite.nl and request an RMA prior to shipping the fixture. Be prepared to provide the model number, serial number and a brief description of the cause for the return. Be sure to properly pack fixture, any shipping damage resulting from inadequate packaging is the customer's responsibility. Highlite reserves the right to use its own discretion to repair or replace product(s). As a suggestion, proper UPS packing or double-boxing is always a safe method to use.

Note: If you are given an RMA number, please include the following information on a piece of paper inside the box:

- 01) Your name
- 02) Your address
- 03) Your phone number
- 04) A brief description of the symptoms

Claims

The client has the obligation to check the delivered goods immediately upon delivery for any shortcomings and/or visible defects, or perform this check after our announcement that the goods are at their disposal. Damage incurred in shipping is the responsibility of the shipper; therefore the damage must be reported to the carrier upon receipt of merchandise.

It is the customer's responsibility to report and submit claims with the shipper in the event that a fixture is damaged due to shipping. Transportation damage has to be reported to us within one day after receipt of the delivery.

Any return shipment has to be made post-paid at all times. Return shipments must be accompanied with a letter defining the reason for return shipment. Non-prepaid return shipments will be refused, unless agreed otherwise in writing.

Complaints against us must be prepared in writing or sent by fax within 10 working days after receipt of the invoice. After this period complaints will not be handled anymore.

Complaints will only then be considered if the client has so far complied with all parts of the agreement, regardless of the agreement from which the obligation is resulting.

Description of the device

Features

The StageBeam 300/500W PC is a theatre spot with high output. It is equipped with a GY9.5 ceramic lamp socket, suitable for 300/500W lamps.

- Light source: 300/500W lamp
- Lamp socket: GY9.5
- Beam angle: 10°-40°
- Zoom: manual
- Housing: powder coated aluminum and steel
- Connections: Schuko power cable
- IP rating: IP-20
- Dimensions: 315 x 175 x 315 mm (LxWxH) (incl. bracket)
- Weight: 3,3 kg

Optional accessories:

[30540](#) – Barndoor for Stage Beam 300/500W

[70109B](#) – Heavy duty pipe clamp, SWL = 35 kg

[70359B](#) – 50 mm Quick coupler

[70365B](#) – 50 mm Compact half coupler

[80703O](#) – GY9.5 Osram, 300W

[80704O](#) – GY9.5 Osram, 500W

[80703G](#) – GY9.5 GE, 300W

[80704G](#) – GY9.5 GE, 500W

Overview

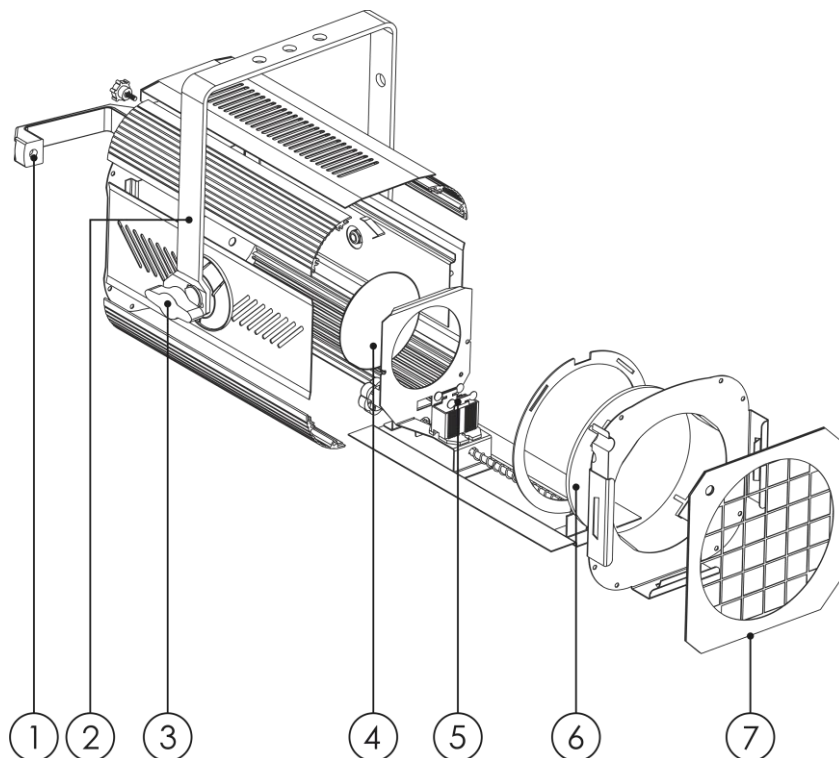


Fig. 01

- 01) Carrying handle
- 02) Mounting bracket
- 03) Adjustment screw
- 04) Reflector
- 05) Lamp housing
- 06) Lens
- 07) Filter frame

Installation

Remove all packing materials from the StageBeam 300/500W PC. Check if all foam and plastic padding is removed. Connect all cables.

Do not supply power before the whole system is set up and connected properly.

Always disconnect from electric mains power supply before cleaning or servicing.

Damages caused by non-observance are not subject to warranty.

Set Up and Operation

Follow the directions below, as they pertain to your preferred operation mode.

Before plugging the unit in, always make sure that the power supply matches the product specification voltage. Do not attempt to operate a 120V specification product on 230V power, or vice versa.

Connect the device to the main power supply.

Installing the lamp

The Showtec StageBeam PC 300/500W uses the GY9.5 Osram lamp, 300W (**ordercode: [80703Q](#)**), the GY9.5 Osram lamp, 500W (**ordercode: [80704Q](#)**), the GY9.5 GE lamp, 300W (**ordercode: [80703G](#)**) and the GY9.5 GE lamp, 500W (**ordercode: [80704G](#)**).

Use only the appropriate lamp for your unit. Note that product versions, that use other lamps, may be offered in the future. Check your product specification label for information.

Always disconnect from electric mains power supply before changing lamps.

The lamp has to be replaced when it is damaged or deformed due to the heat.

Do not install lamps of higher wattage!

Lamps of higher wattage generate temperatures which the device was not designed for.

Damages caused by non-observance are not subject to warranty.

- 01) Disconnect the StageBeam from power before installing the lamp. Allow 15 minutes to cool down the lamp.
- 02) Loosen the locking screw from the color frame at the top view of the fixture.
- 03) Remove the locking screw at the back.
- 04) Remove the top cover.
- 05) Remove the lamp from the box and hold it **by the base**. Read lamp instructions. **Do not touch the lamp bulb glass.** Oil on hands shortens the lamp's lifespan. If you touch the bulb glass, wipe it off with a clean, lint free towel and rubbing alcohol.
- 06) Insert the lamp and fit it firmly within the lamp brackets.
- 07) Replace the top cover and the locking screw at the back.
- 08) Tighten the locking screw at the top view of the fixture.

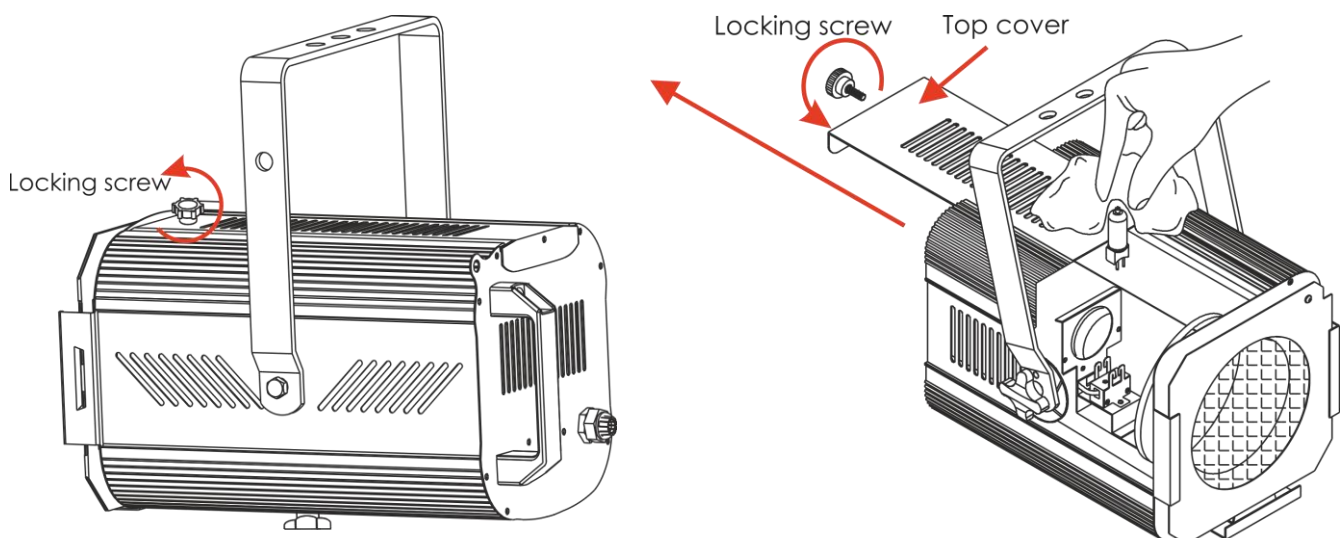


Fig. 02

Adjusting the beam angle

01) Turn the beam angle adjustment screw to the left or right to increase/decrease the beam angle.

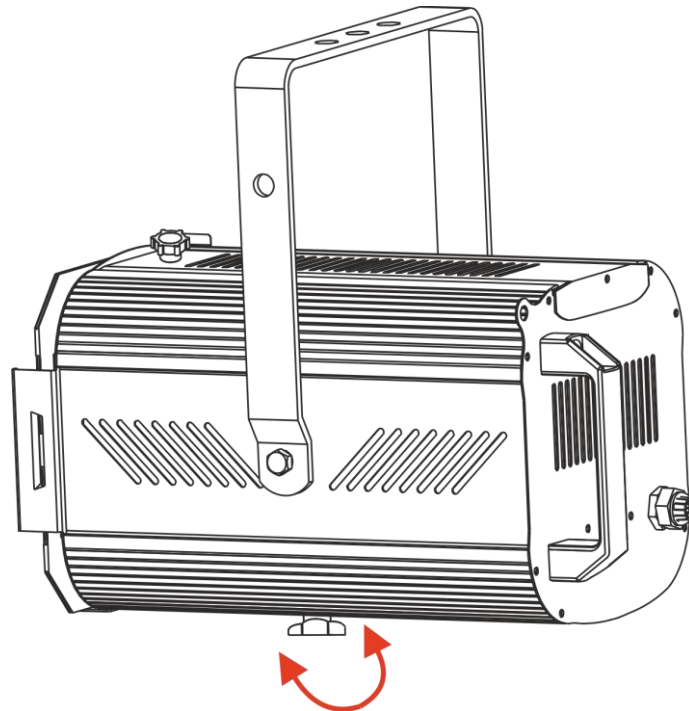


Fig. 03

Filter frame retaining clip and locking screw

- 01) Push the retaining clip sideways to open.
- 02) Loosen the locking screw at the top view of the fixture and move the metal locking plate to the back.
- 03) Insert the filter frame.
- 04) Move the metal locking plate back and tighten the locking screw.
- 05) Release the retaining clip.
- 06) **Make sure all filter frame accessories are locked in position with the retaining clip and screw before hanging the StageBeam.**

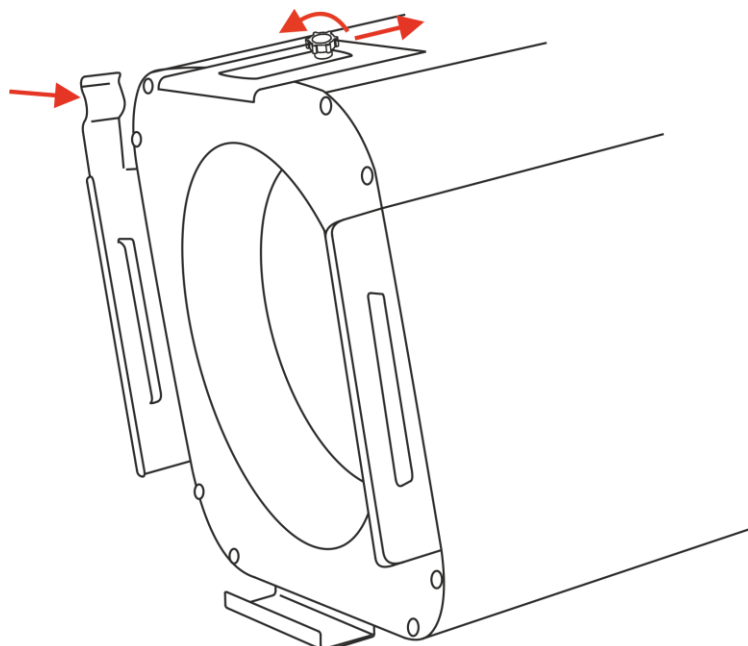


Fig. 04

Maintenance

The operator has to make sure that safety-related and machine-technical installations are to be inspected by an expert after every year in the course of an acceptance test.

The operator has to make sure that safety-related and machine-technical installations are to be inspected by a skilled person once a year.

The following points have to be considered during the inspection:

- 01) All screws used for installing the device or parts of the device have to be tightly connected and must not be corroded.
- 02) There may not be any deformations on housings, fixations and installation spots.
- 03) Mechanically moving parts like axles, eyes and others may not show any traces of wearing.
- 04) The electric power supply cables must not show any damages or material fatigue.

The StageBeam 300/500W PC requires almost no maintenance. However, you should keep the unit clean. Otherwise, the fixture's light output will be significantly reduced. Disconnect the mains power supply, and then wipe the cover with a damp cloth. Do not immerse in liquid. Wipe lens clean with glass cleaner and a soft cloth. Do not use alcohol or solvents.

The front lens will require weekly cleaning, as smoke-fluid tends to build up residues, reducing the light-output very quickly.

Make sure connections are thoroughly dry before supplying electric power.

Changing the lamp

- 01) Disconnect mains power supply. Allow the fixture to cool for at least 15 minutes before handling and replacing lamp.
- 02) Read lamp instructions.
- 03) Follow directions for installing the lamp, page 8.

Troubleshooting

This troubleshooting guide is meant to help solve simple problems.

If a problem occurs, carry out the steps below in sequence until a solution is found. Once the unit operates properly, do not carry out following steps.

No Light

If the light effect does not operate properly, refer servicing to a technician.

Suspect three potential problem areas as: the power supply, the lamp, the internal fuse.

- 01) Power supply. Check that the unit is plugged into an appropriate power supply.
- 02) The lamp. Replace the lamp. See page 8 for installing the lamp.
- 03) The internal fuse. Return the device to your Showtec dealer.
- 04) If all of the above appears to be O.K., plug the unit in again.
- 05) If you are unable to determine the cause of the problem, do not open the StageBeam, as this may damage the unit and the warranty will become void.
- 06) Return the device to your Showtec dealer.

Problem	Probable cause(s)	Solution
One or more fixtures do not function at all	No power to the fixture	<ul style="list-style-type: none"> • Check if power is switched on and cables are plugged in
	Internal fuse blown	<ul style="list-style-type: none"> • Return the device to your Showtec dealer
No light or lamp cuts out intermittently	Fixture is too hot	<ul style="list-style-type: none"> • Allow the fixture to cool down • Make sure air vents in control panel and the front lens are not blocked • Turn up the air conditioning
	Lamp is damaged	<ul style="list-style-type: none"> • Replace the lamp • Disconnect the fixture and return it to your dealer
	The power supply settings do not match local AC voltage and frequency	<ul style="list-style-type: none"> • Disconnect fixture. Check settings and correct if necessary

Product Specifications

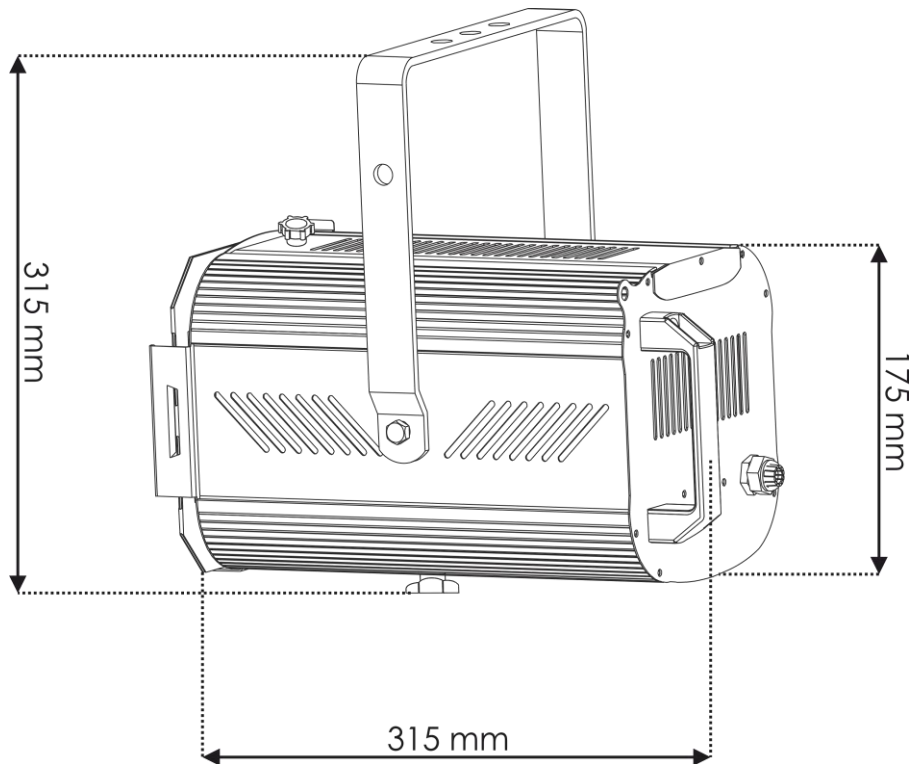
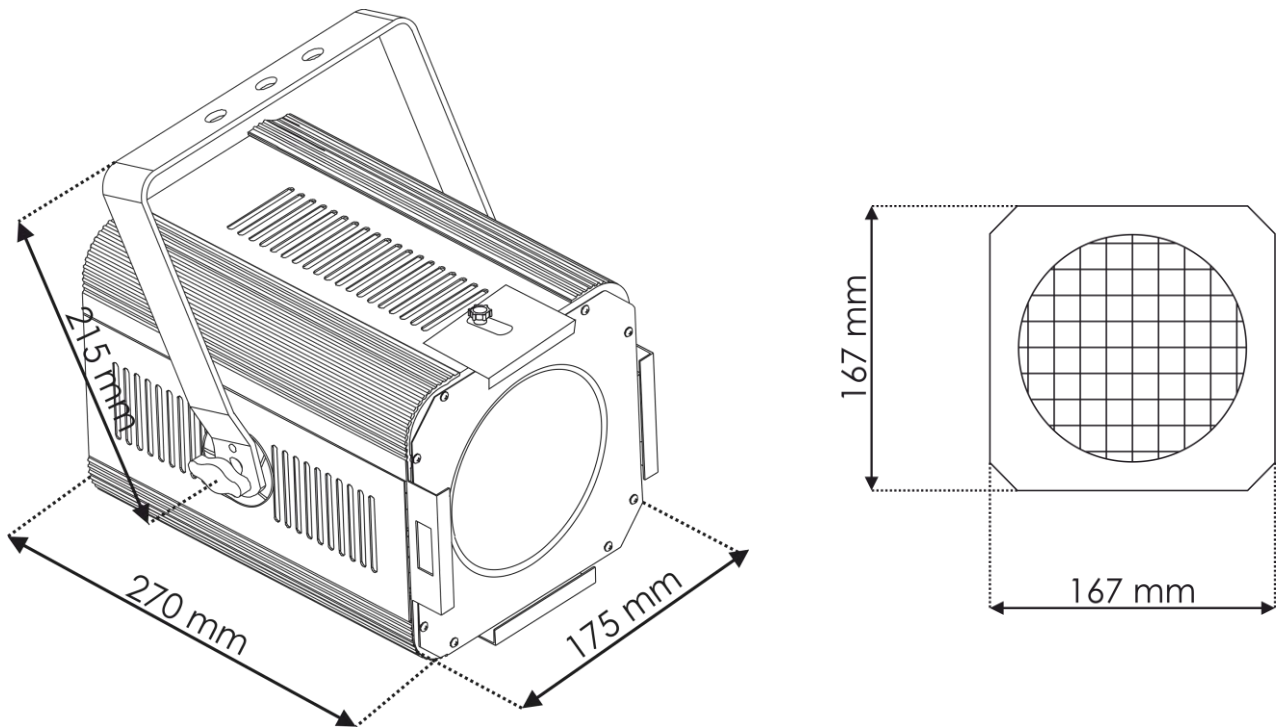
Model:	Showtec StageBeam 300/500W PC
Dimensions:	315 x 175 x 315 mm (LxWxH) (incl. bracket)
Weight:	3,3 kg
Electro-mechanical effects:	
Light source:	GY9.5 300/500W lamp
Lamp socket:	GY9.5
Beam angle:	10°-40°
Zoom:	manual
Housing:	powder coated aluminum and steel
Connections:	Schuko power cable
IP rating:	IP-20
Lamp	
80703O Osram, GY9.5 (2000hr; 3000K; 300W)	
80704O Osram, GY9.5 (2000hr; 2900K; 500W)	
80703G GE, GY9.5 (2000hr; 3000K; 300W)	
80704G GE, GY9.5 (2000hr; 2900K; 500W)	
Minimum distance:	
Minimum distance from flammable surfaces:	0,5 m
Minimum distance to lighted object:	1 m

Design and product specifications are subject to change without prior notice.



Website: www.Showtec.info
 Email: service@highlite.nl

Dimensions





©2017 Showtec