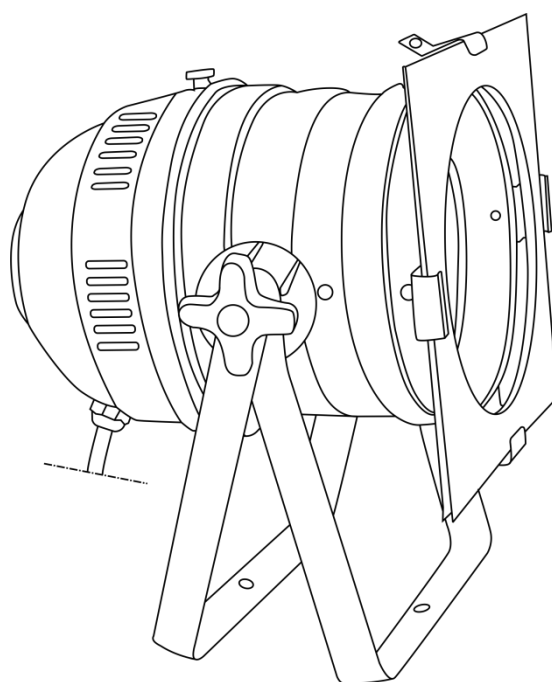




**MANUAL**



**ENGLISH**

**Parcan 64 Floorspot**

**V1**

**Ordercode: 30420/30421**

## **Table of contents**

---

|  |    |
|--|----|
| <b>Warning</b> .....                   | 2  |
| Safety Instructions .....              | 2  |
| Operating Determinations .....         | 4  |
| Rigging .....                          | 4  |
| Connection with the mains.....         | 5  |
| Return Procedure .....                 | 6  |
| Claims.....                            | 6  |
| <b>Description of the device</b> ..... | 7  |
| Optional accessories.....              | 7  |
| Overview .....                         | 7  |
| Lamp housing .....                     | 8  |
| <b>Installation</b> .....              | 8  |
| Installing the Lamp.....               | 8  |
| <b>Set Up and Operation</b> .....      | 10 |
| Filter frame retaining clip .....      | 10 |
| <b>Maintenance</b> .....               | 10 |
| Changing the Lamp.....                 | 11 |
| <b>Troubleshooting</b> .....           | 11 |
| No Light .....                         | 11 |
| <b>Product Specifications</b> .....    | 12 |
| <b>Dimensions</b> .....                | 13 |
| <b>Notes</b> .....                     | 14 |

## Warning



**For your own safety, please read this user manual carefully  
before your initial start-up!**

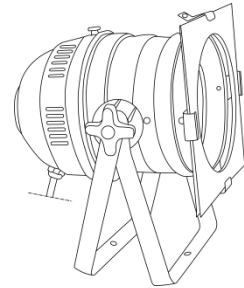


### Unpacking Instructions

Immediately upon receiving this product, carefully unpack the carton and check the contents to ensure that all parts are present, and have been received in good condition. Notify the dealer immediately and retain packing material for inspection if any parts appear to be damaged from shipping or the carton itself shows signs of mishandling. Save the carton and all packing materials. In the event that the fixture must be returned to the factory, it is important that the fixture be returned in the original factory box and packing.

### Your shipment includes:

- Showtec Parcan 64 Floorspot with 0,8m Schuko power cable
- 1x Filter frame
- User manual



**CAUTION!**  
**Keep this device away from rain and moisture!**  
**Unplug mains lead before opening the housing!**



### Safety Instructions

Every person involved with the installation, operation and maintenance of this device has to:

- be qualified
- follow the instructions of this manual



**CAUTION! Be careful with your operations.**  
**With a dangerous voltage you can suffer  
a dangerous electric shock when touching the wires!**



Before your initial start-up, please make sure that there is no damage caused by transportation. Should there be any, consult your dealer and do not use the device.

To maintain perfect condition and to ensure a safe operation, it is absolutely necessary for the user to follow the safety instructions and warning notes written in this manual.

Please consider that damages caused by manual modifications to the device are not subject to warranty.

This device contains no user-serviceable parts. Refer servicing to qualified technicians only.

### IMPORTANT:

The manufacturer will not accept liability for any resulting damages caused by the non-observance of this manual or any unauthorized modification to the device.

- Never let the power cord come into contact with other cables! Handle the power cord and all connections with the mains with particular caution!
- Never remove warning or informative labels from the unit.
- Never use anything to cover the ground contact.
- Never lift the fixture holding it by the projector-head, as the mechanics may be damaged. Always hold the fixture by the transport handles.
- Never place any material over the lens.
- Never look directly into the light source.
- Never leave any cables lying around.
- Do not insert objects into air vents.
- Do not switch the device on and off in short intervals, as this would reduce the device's lifespan.
- Do not touch the device's housing bare-handed during its operation. Allow the fixture to cool for at least 5 minutes before handling.
- Do not shake the device. Avoid brute force when installing or operating the device.
- Only operate the fixture after having checked that the housing is firmly closed and all screws are tightly fastened.
- Only operate the device after having familiarized with its functions.
- Avoid flames and do not put close to flammable liquids or gases.
- Always keep case closed while operating.
- Always allow free air space of at least 50 cm around the unit for ventilation.
- Always disconnect power from the mains, when device is not used or before cleaning! Only handle the power cord by the plug. Never pull out the plug by tugging the power cord.
- Make sure that the device is not exposed to extreme heat, moisture or dust.
- Make sure that the available voltage is not higher than stated on the rear panel.
- Make sure that the power cord is never crimped or damaged. Check the device and the power cord from time to time.
- If the lens is obviously damaged, it has to be replaced to prevent its functions from being impaired, due to cracks or deep scratches.
- If device was dropped or struck, disconnect mains power supply immediately. Have a qualified engineer inspect for safety before operating.
- If the device has been exposed to drastic temperature fluctuation (e.g. after transportation), do not switch it on immediately. The arising condensation water might damage your device. Leave the device switched off until it has reached room temperature.
- If your Showtec device fails to work properly, discontinue use immediately. Pack the unit securely (preferably in the original packing material), and return it to your Showtec dealer for service.
- For adult use only. Device must be installed out of reach of children. Never leave the unit running unattended.
- Never attempt to bypass the thermostatic switch or fuses.
- For replacement, use fuses of same type and rating only.
- The user is responsible for correct positioning and operating of the Parcan 64 Floorspot. The manufacturer will not accept liability for damages caused by the misuse or incorrect installation of this device.
- This device falls under protection class I. Therefore it is essential to connect the yellow/green conductor to earth.
- During the initial start-up, some smoke or smell may arise. This is a normal process and does not necessarily mean that the device is defective.
- Repairs, servicing and electrical connection must be carried out by a qualified technician.
- WARRANTY: Till one year after date of purchase.



**CAUTION! Eyedamages!!!**  
**Avoid looking directly into the lightsource!!!**  
**(meant especially for epileptics)!!!**



### Operating Determinations

- This device is not designed for permanent operation. Regular operation breaks will ensure that the device will serve you for a long time without defects.
- The minimum distance between light-output and the illuminated surface must be bigger than 0,5 meter.
- The maximum ambient temperature  $t_a = 40^\circ\text{C}$  must never be exceeded.
- The relative humidity must not exceed 50 % with an ambient temperature of  $40^\circ\text{C}$ .
- If this device is operated in any other way than the one described in this manual, the product may suffer damages and the warranty becomes void.
- Any other operation may lead to dangers like short-circuit, burns, electric shock, crash etc.

You endanger your own safety and the safety of others!

### Rigging

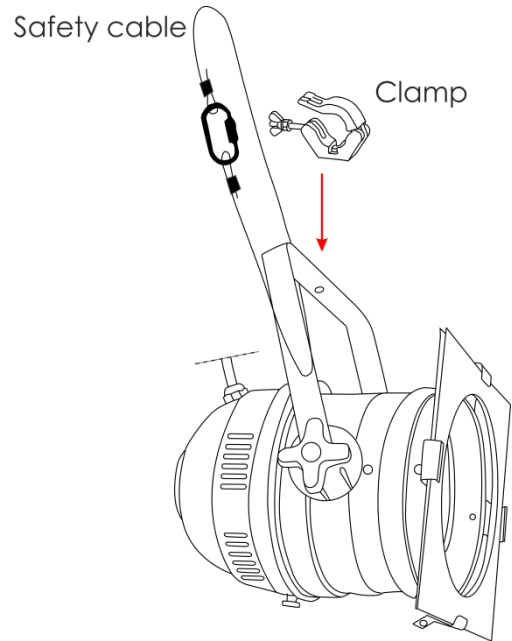
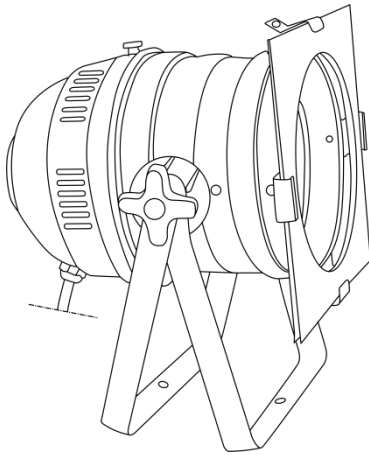
*Please follow the European and national guidelines concerning rigging, trussing and all other safety issues.*

*Do not attempt the installation yourself !*

*Always let the installation be carried out by an authorized dealer !*

### Procedure:

- If the Parcan 64 Floorspot is lowered from the ceiling or high joists, professional trussing systems can be used.
- Use a clamp to mount the Parcan 64 Floorspot, with the mounting-bracket, to the trussing system.
- The Parcan 64 Floorspot must never be fixed swinging freely in the room.
- The installation must always be secured with a safety attachment, e.g. an appropriate safety net or safety-cable.
- When rigging, derigging or servicing the Parcan 64 Floorspot, always make sure, that the area below the installation place is blocked and staying in the area is forbidden.



The Parcan 64 Floorspot can be placed on a flat stage floor or mounted to any kind of truss by a clamp. Improper installation can cause serious injuries and/or damage of property!

**Connection with the mains**

Connect the device to the mains with the power plug. Always check if the right color cable is connected to the right place.

| International | EU Cable     | UK Cable | US Cable      | Pin               |
|---------------|--------------|----------|---------------|-------------------|
| L             | BROWN        | RED      | YELLOW/COPPER | PHASE             |
| N             | BLUE         | BLACK    | SILVER        | NEUTRAL           |
|               | YELLOW/GREEN | GREEN    | GREEN         | PROTECTIVE GROUND |

*Make sure that the device is always connected properly to the earth!*

*Improper installation can cause serious damage to people and property!*





### Return Procedure



Returned merchandise must be sent prepaid and in the original packing, call tags will not be issued. Package must be clearly labeled with a Return Authorization Number (RMA number). Products returned without an RMA number will be refused. Highlite will not accept the returned goods or any responsibility. Call Highlite 0031-455667723 or mail [aftersales@highlite.nl](mailto:aftersales@highlite.nl) and request an RMA prior to shipping the fixture. Be prepared to provide the model number, serial number and a brief description of the cause of the return. Be sure to properly pack fixture as any shipping damage resulting from inadequate packaging is the customer's responsibility. Highlite reserves the right to use its own discretion to repair or replace product(s). As a suggestion, proper UPS packing or double-boxing is always a safe method to use.

**Note: If you are given an RMA number, please include the following information on a piece of paper inside the box:**

- 01) Your name.
- 02) Your address.
- 03) Your phone number.
- 04) A brief description of the symptoms.

### Claims

The client has the obligation to check the delivered goods immediately upon delivery for any shortcomings and/or visible defects, or perform this check after our announcement that the goods are at their disposal. Damage incurred in shipping is the responsibility of the shipper; therefore the damage must be reported to the carrier upon receipt of merchandise.

It is the customer's responsibility to notify and submit claims with the shipper in the event that the fixture is damaged due to shipping. Transportation damage has to be reported to us within one day after receipt of the delivery.

Any return shipment has to be made post-paid at all times. Return shipments must be accompanied with a letter defining the reason for return shipment. Non-prepaid return shipments will be refused, unless agreed otherwise in writing.

Complaints against us must be made known in writing or by fax within 10 working days after receipt of the invoice. After this period, complaints will not be handled anymore.

Complaints will only be considered if the client has so far complied with all parts of the agreement, regardless of the agreement of which the obligation is resulting.

## Description of the device

### Features

The Showtec Parcan 64 Floorspot is a parcan with high output and great effects.

- Lamp: PAR 64
- Lamp socket: GX16D (max 230V)
- Capacity: max 1000W
- Input voltage: 230V, 50Hz
- Power cable 0,8m with Schuko connector
- Filter frame: Included
- Housing: Die-cast aluminum
- Cooling: Convection
- IP rating: IP20
- Dimensions: 280 x 265 x 360 mm (LxWxH)
- Weight: 1,6 kg

### Optional accessories

[30409](#) Filter frame for Parcan 64

[30415](#) Barndoor for Parcan 64

[80107](#) Par 64 GX16D VNSP GE

### Overview

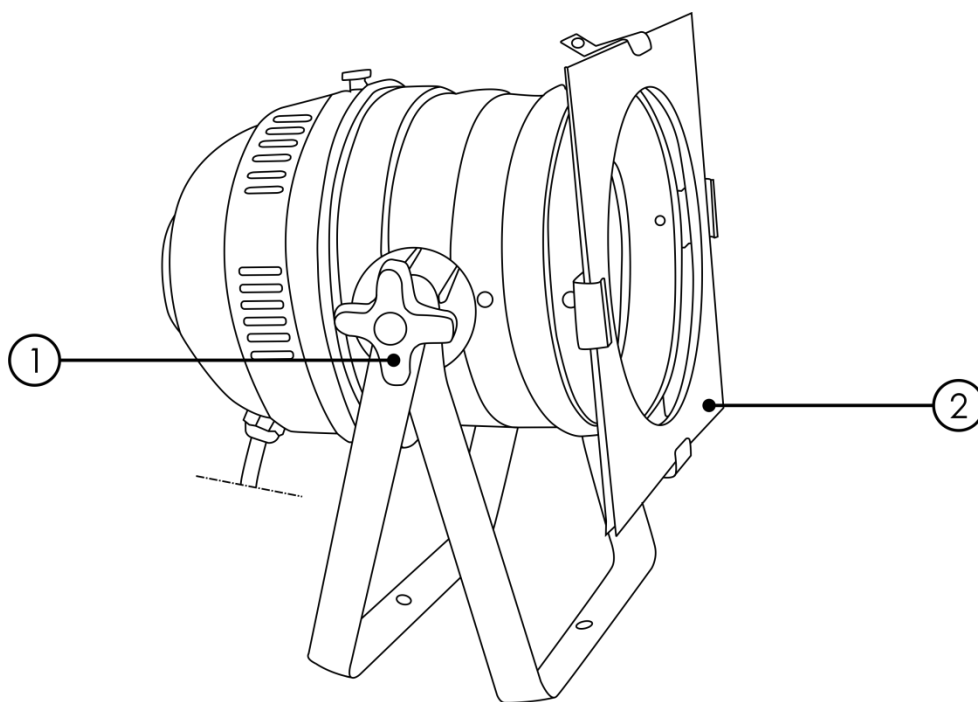


Fig. 01

- 01) Double mountingbracket with inclination screw  
02) Filter frame



## Lamp housing

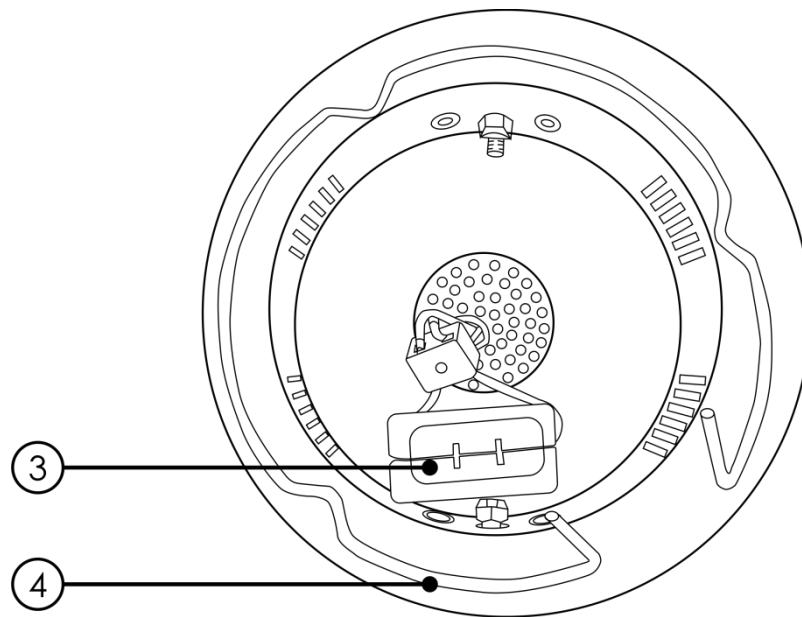


Fig. 02

- 03) Lamp socket GX16D (230V) with terminal
- 04) Fixation ring

## Installation

Remove all packing materials from the Parcan 64 Floorspot. Check that all foam and plastic padding is removed. Connect all cables.

**Do not supply power before the whole system is set up and connected properly.**

**Always disconnect from electric mains power supply before cleaning or servicing.**

**Damages caused by non-observance are not subject to warranty.**

## Installing the Lamp

The Showtec Parcan 64 Floorspot uses the GX16d (ordercode [80107](#)) as manufactured by all popular manufacturers. Use only the appropriate lamp for your unit.

Note that, product versions that use other lamps, may be offered in the future. Check your product specification label for information.

**Always disconnect from electric mains power supply before changing lamps.**

The lamp has to be replaced when it is damaged or deformed due to the heat.

**Do not install lamps with a higher wattage!** Lamps with a higher wattage generate temperatures the device was not designed for.

**Damages caused by non-observance are not subject to warranty.**

## Procedure:

- 01) Disconnect the Parcan 64 Floorspot from power before installing the lamp.
- 02) Pull the spring lever in the direction of the arrow and remove the rear cover of the lamp (Fig. 03).
- 03) Remove the fixation ring by pressing it together (Fig. 04).
- 04) Remove the lamp from the box and hold it **by the base**. Read lamp instructions. **Do not touch the lamp bulb glass.** Oil on hands shortens the lamp's lifespan. If you touch the bulb glass, wipe it off with a clean, lint free towel and rubbing alcohol.
- 05) Pull out the lamp holder and insert the lamp (Fig. 05).
- 06) Replace the fixation ring (Fig. 06).
- 07) Replace the rear cover of the lamp (Fig. 07). Make sure that the screw at the bottom of the rear cover fits in the hole at the bottom of the front cover.
- 08) The Parcan 64 Floorspot is now ready to use.

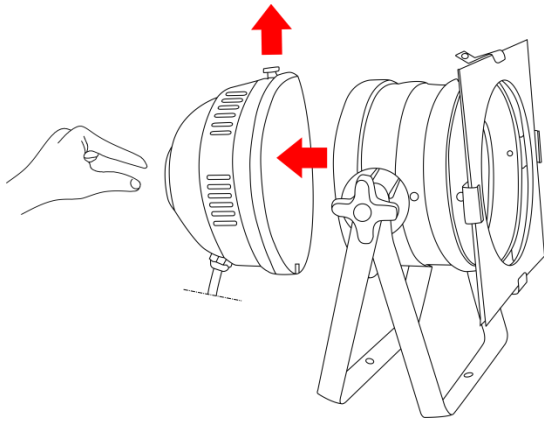


Fig. 03

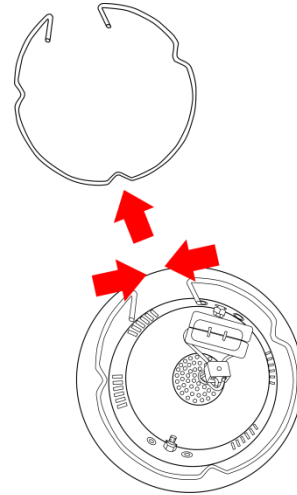


Fig. 04

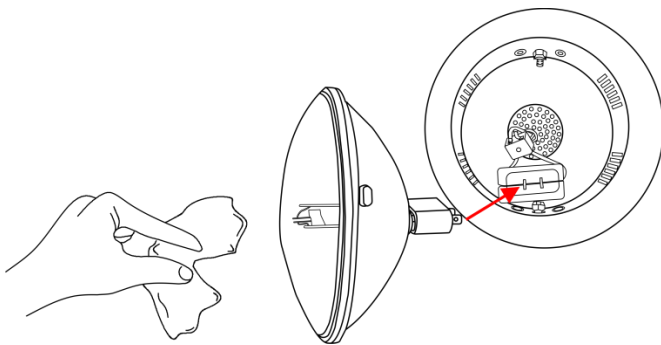


Fig. 05

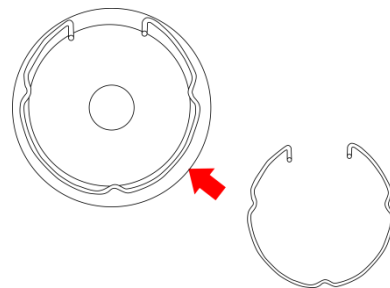


Fig. 06

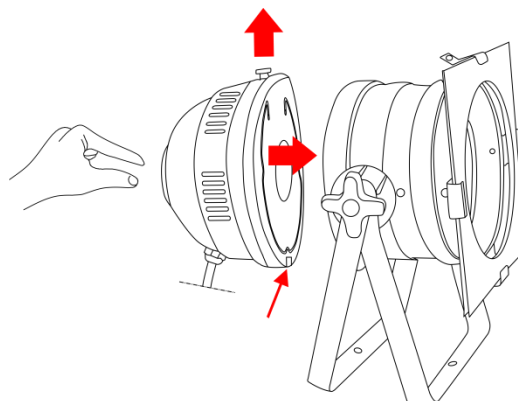


Fig. 07

## Set Up and Operation

Follow the directions below, as they pertain to your preferred operation mode.

Before plugging the unit in, always make sure that the power supply matches the product specification voltage. Do not attempt to operate a 120V specification product on 230V power, or vice versa.

Always disconnect from electric mains power supply before cleaning or servicing.

Damages caused by non-observance are not subject to warranty.

### Filter frame retaining clip

01) Press and hold down the filter frame retaining clip.

02) Insert the filter frame into the bracket.

03) Release the filter frame retaining clip in order to secure the filter frame in position.

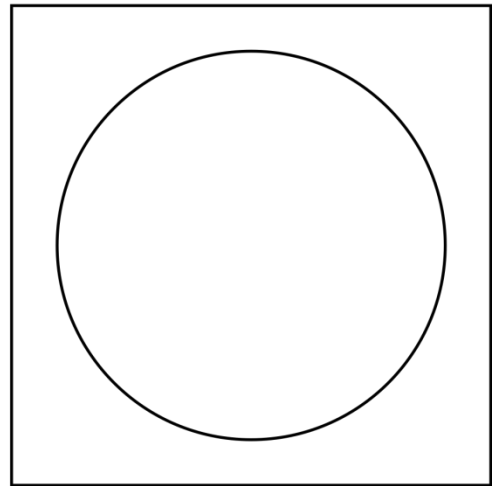
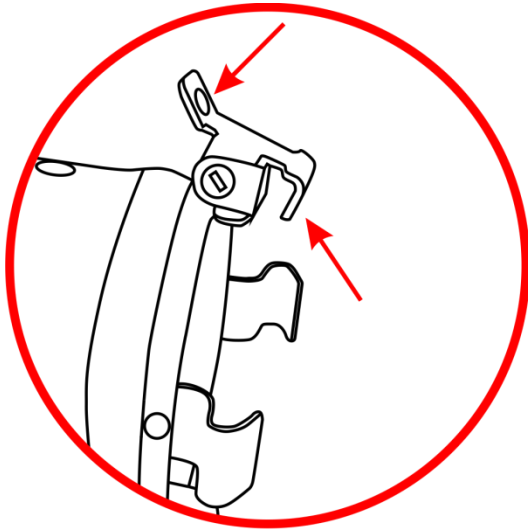


Fig. 08

## Maintenance

The operator has to make sure that safety-relating and machine-technical installations are to be inspected by an expert after every four years in the course of an acceptance test.

The operator has to make sure that safety-relating and machine-technical installations are to be inspected by a skilled person once a year.

The following points have to be considered during the inspection:

- 01) All screws used for installing the device or parts of the device have to be tightly connected and must not be corroded.
- 02) There may not be any deformations on housings, fixations and installation spots.
- 03) Mechanically moving parts like axles, eyes and others may not show any traces of wearing.
- 04) The electric power supply cables must not show any damages or material fatigue.

The Parcan 64 Floorspot requires almost no maintenance. However, you should keep the unit clean. Otherwise, the fixture's light-output will be significantly reduced. Disconnect the mains power supply, and then wipe the cover with a damp cloth. Do not immerse in liquid. Wipe lens clean with glass cleaner and a soft cloth. Do not use alcohol or solvents.

The front lens will require weekly cleaning, as smoke-fluid tends to build up residues, reducing the light-output very quickly.

**Changing the Lamp**

- 01) Disconnect mains power supply. Allow the fixture to cool for at least 15 minutes before handling and replacing lamp.
- 02) Read lamp instructions.
- 03) Follow directions for installing a new lamp page 9.

**Troubleshooting**

---

**No Light**

This troubleshooting guide is meant to help solve simple problems.

If a problem occurs, follow the steps below in sequence until a solution is found. Once the unit operates properly, do not carry out the following steps.

If the light effect does not operate properly, refer servicing to a technician.

Response: Suspect two potential problem areas: the power supply and the lamp.

- 01) Power supply. Check that the unit is plugged into an appropriate power supply.
- 02) The lamp. Replace the old lamp with a new one with the same specifications. See page 9 for replacing the lamp.
- 03) If all of the above appears to be O.K., plug the unit in again.
- 04) If you are unable to determine the cause of the problem, do not modify the Parcan 64 Floorspot, as this may damage the unit and the warranty will become void.
- 05) Return the device to your Showtec dealer.

| <b>Problem</b>                              | <b>Probable cause(s)</b>  | <b>Solution</b>  |
|---|---|--|
| One or more fixtures do not function at all | No power to the fixture   | <ul style="list-style-type: none"> <li>• Check if power is switched on and cables are plugged in</li> </ul>                |
| No light or lamp cuts out intermittently    | Fixture is too hot  | <ul style="list-style-type: none"> <li>• Allow the fixture to cool down</li> <li>• Turn up the air conditioning</li> </ul> |
|   | lamp damaged  | <ul style="list-style-type: none"> <li>• Disconnect the fixture and replace the lamp</li> </ul>                            |
|   | The power supply settings do not match local AC voltage and frequency | <ul style="list-style-type: none"> <li>• Disconnect fixture. Check settings and correct if necessary</li> </ul>            |

**Product Specifications**

|   |                             |
|---|-----------------------------|
| Model:  | Showtec Parcan 64 Floorspot |
| Input voltage:  | 230V, 50Hz                  |
| Capacity:   | max 1000W                   |
| Lamp socket:  | GX16D (max 230V)            |
| Housing:  | Die-cast aluminum           |
| Cooling:  | Convection                  |
| IP rating:  | IP20                        |
| Power cable 0,8m with Schuko connector                            |                             |
| Filter frame:   | Included                    |
| Dimensions:   | 280 x 265 x 360 mm (LxWxH)  |
| Weight:   | 1,6 kg                      |
| <b>Lamp</b>   |                             |
| <a href="#">80107</a> Par 64 GX16D VNSP GE (300hr; 3200K; 1000W)* |                             |
| Max. ambient temperature $t_a$ :                                  | 40°C                        |
| Max. housing temperature $t_b$ :                                  | 80°C                        |
| <b>Minimum distance:</b>  |                             |
| Minimum distance from flammable surfaces:                         | 0,5 m                       |
| Minimum distance to lighted object:                               | 1 m                         |

\*: Versions for other lamps may be produced. Please check the specification label on your product.

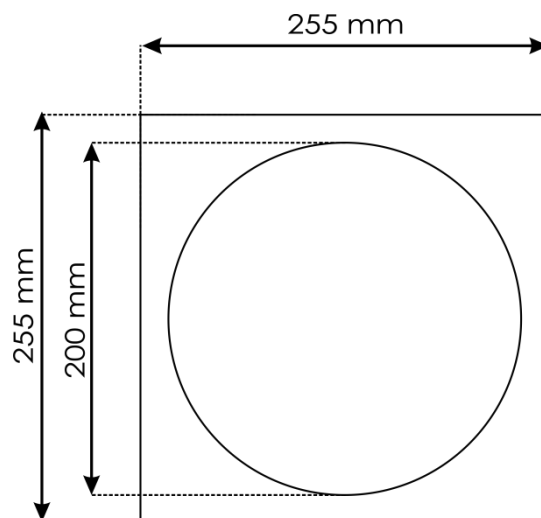
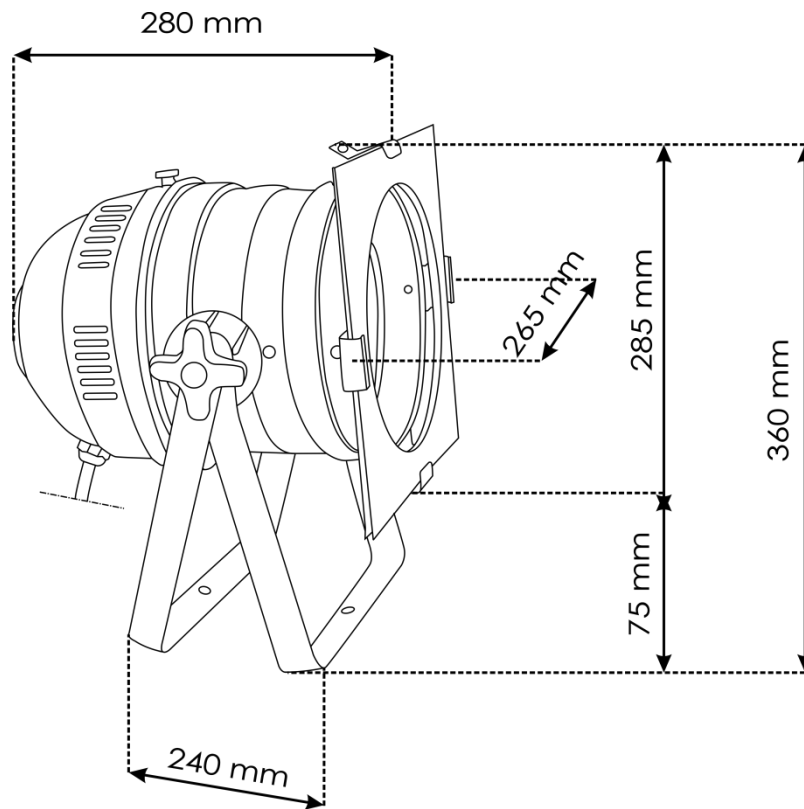
Design and product specifications are subject to change without prior notice.



Website: [www.Showtec.info](http://www.Showtec.info)

Email: [service@highlite.nl](mailto:service@highlite.nl)

## Dimensions







©2017 Showtec